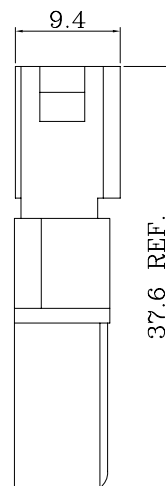
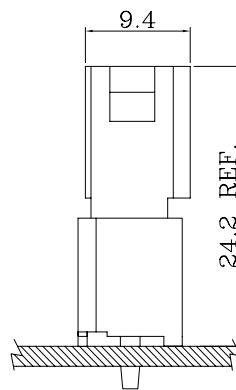


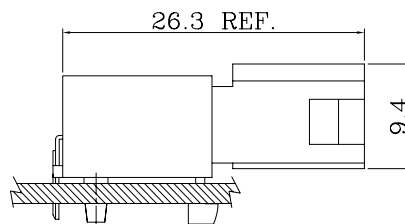
Assembly Layout/装配方案



Wire to Wire/线对线



Wire to Board/线对板(直插)



Wire to Board/线对板(弯插)

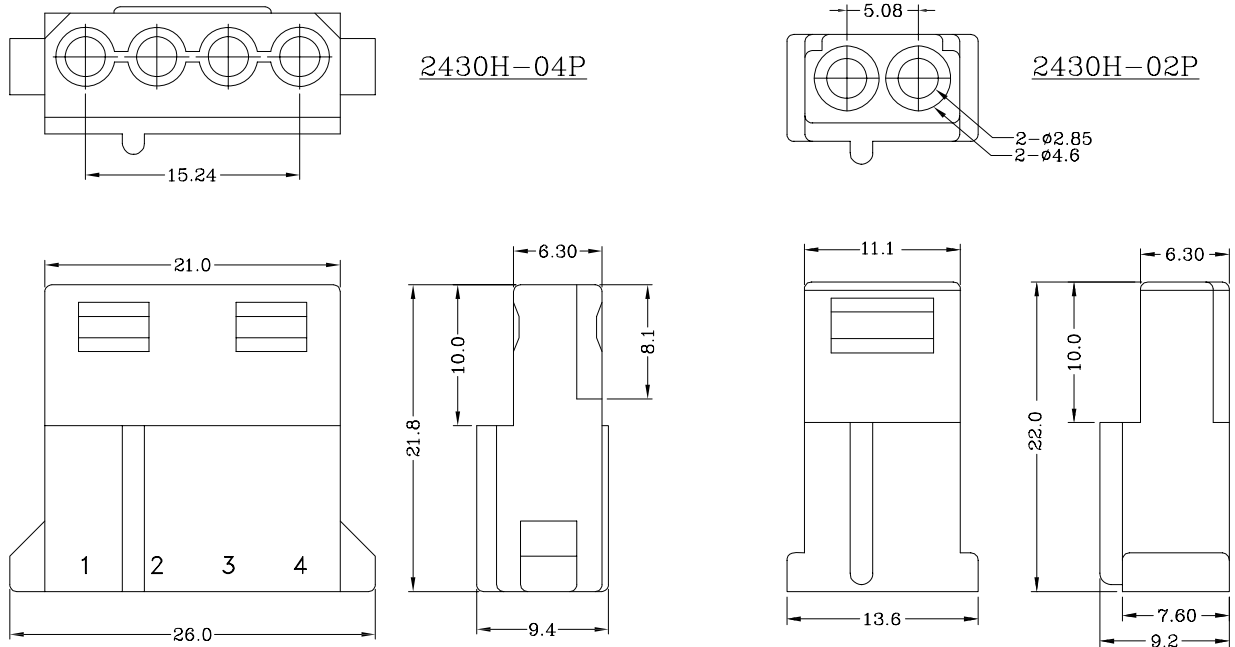
Specifications/技术参数:

Poles/位数	2, 4 Poles
Pitch between poles/间距	5.08mm
Rated Voltage/额定电压	250V AV,DC
Rated Current/额定电流	10A (MAX.)
Withstand Voltage/耐压值	1500V AC/minute
Contact Resistance/接触电阻	20mΩ (MAX.)
Insulation Resistance/绝缘电阻	1000MΩ (MIN.)
Temperature Range/温度范围	-25°C ~ +85°C
Applicable Wire Range/适用线径	AWG #16~#22

2430 SERIES 5.08mm Pitch Crimp Terminal Socket

Features/产品特性:

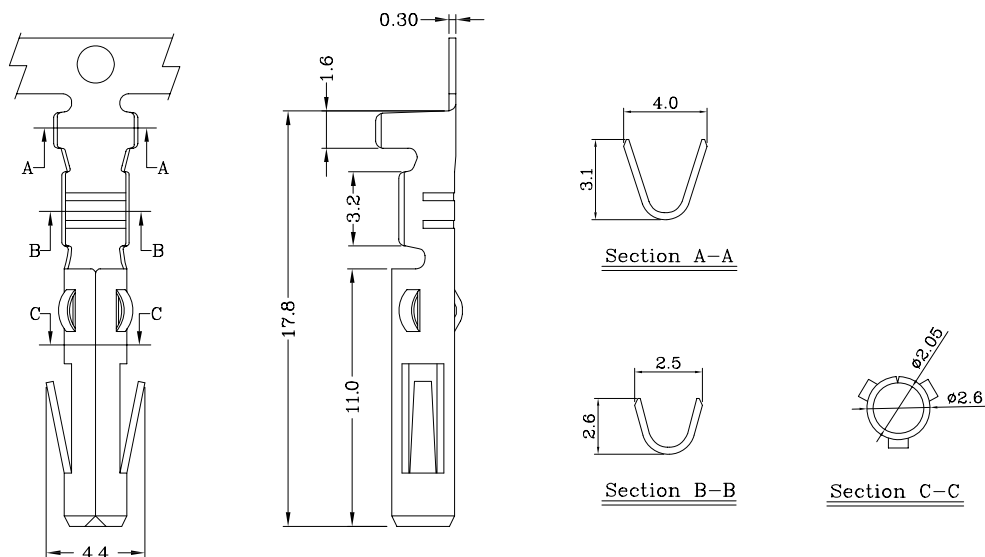
- * Material(材质): Nylon 66 UL 94V-0 (White)
- * Suitable for 2430 series terminal(适用于2430系列端子)
- * Mates with 2440 receptacle and 2440 wafer(与2440塑壳或2440插座配合)



2430 SERIES 5.08mm Pitch Crimp Terminal

Features/产品特性:

- * Used in 2430 series socket(用于2430系列塑壳)

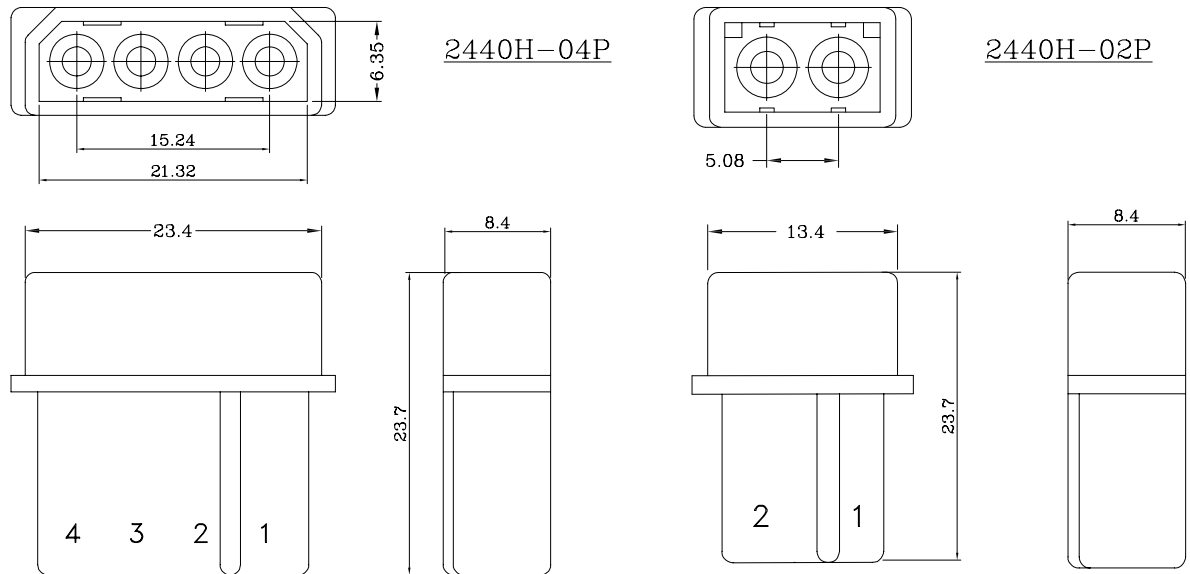


Part No./产品型号	Wire Range/线径范围	Insulation O.D/线外径	Material/材质	Finish/表面处理
2430T	AWG #16 ~ #22	2.70mm(max)	Brass	Tin-plated
2430T-P	AWG #16 ~ #22	2.70mm(max)	Phosphor bronze	Tin-plated

2440 SERIES 5.08mm Pitch Crimp Terminal Socket

Features/产品特性:

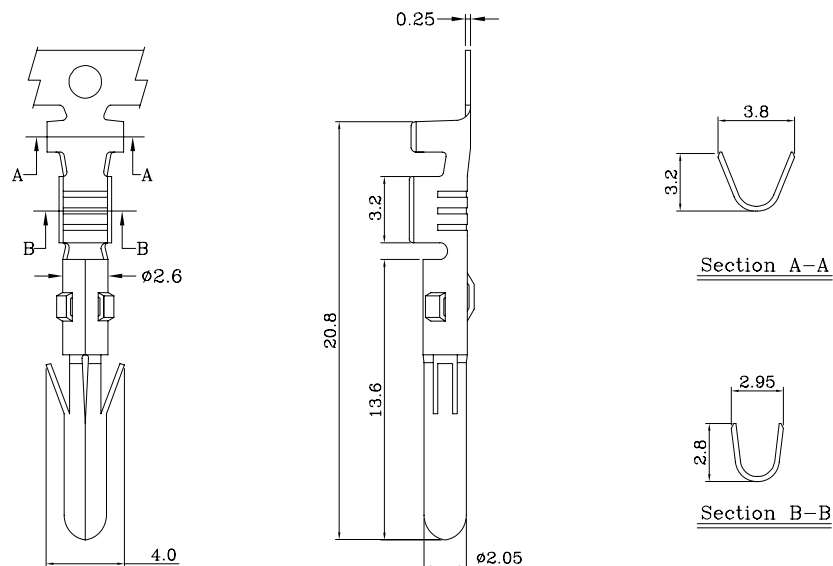
- * Material(材质): Nylon 66 UL 94V-0 (White)
- * Suitable for 2440 series terminal(适用于2440系列端子)
- * Mates with 2430 receptacle(与2430塑壳配合)



2440 SERIES 5.08mm Pitch Crimp Terminal

Features:

- * Used in 2440 series socket(用于2440系列塑壳)

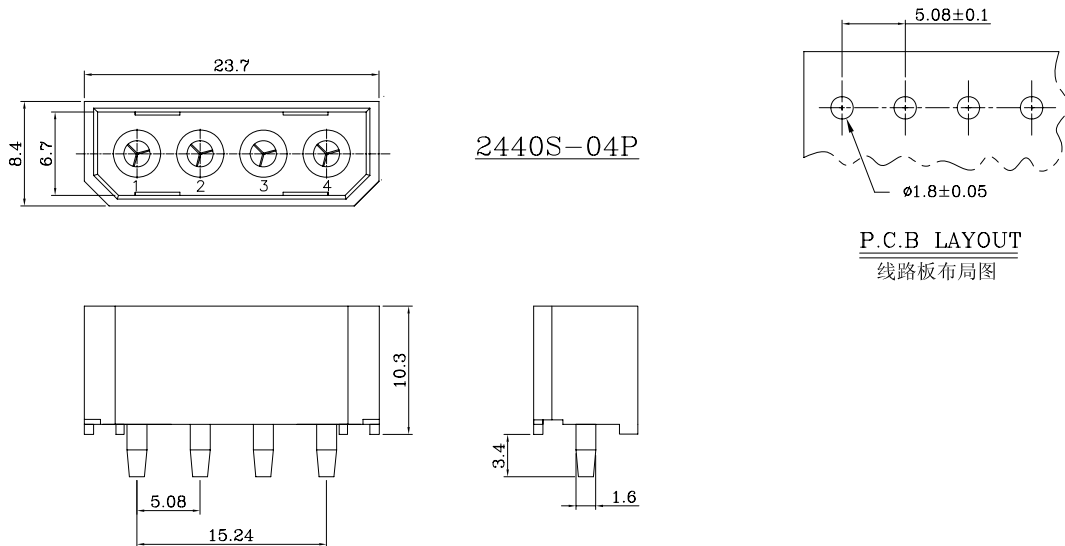


Part No./产品型号	Wire Range/线径范围	Insulation O.D/线外径	Material/材质	Finish/表面处理
2440T	AWG #16 ~ #22	2.70mm(max)	Brass	Tin-plated

2440 SERIES 5.08mm Pitch Wafer (S-Type)

Features/产品特性:

- * Material(材质):
Insulator(塑胶本体): Nylon 66 UL 94V-0 (White)
Contacts(接触件): Brass, Tin-Plated
- * Mates with 2430 socket(与2430塑壳配合)



2440 SERIES 5.08mm Pitch Wafer (R-Type)

Features/产品特性:

- * Material(材质):
Insulator(塑胶本体): Nylon 66 UL 94V-0 (White)
Contacts(接触件): Brass, Tin-Plated
- * Mates with 2430 socket(与2430塑壳配合)

