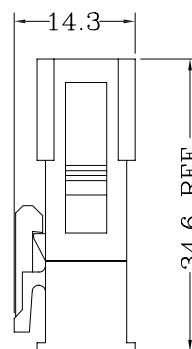
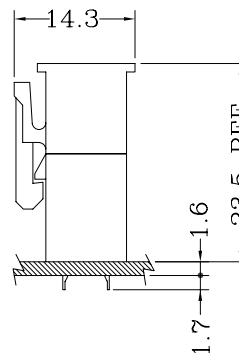


Assembly Layout/装配方案



Wire to Wire/线对线



Wire to Board/线对板

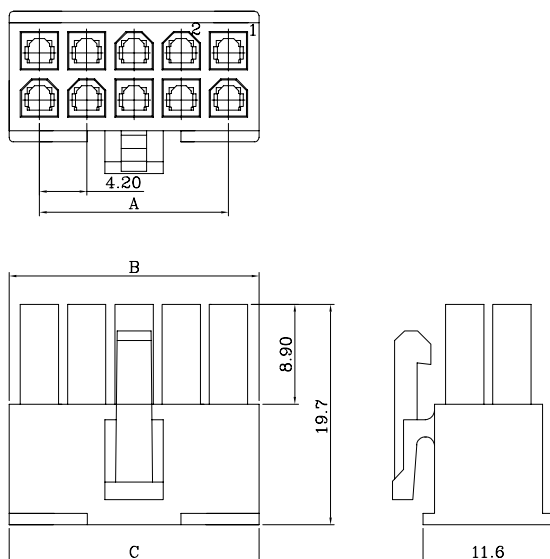
Specifications/技术参数:

Poles/位数	2~24 Poles
Pitch between poles/间距	4.20mm
Rated Voltage/额定电压	250V AV,DC
Rated Current/额定电流	3~7A
Withstand Voltage/耐压值	1500V AC/minute
Contact Resistance/接触电阻	10mΩ (MAX.)
Insulation Resistance/绝缘电阻	1000MΩ (MIN.)
Temperature Range/温度范围	-25°C ~ +85°C
Applicable PCB Thickness/适用板厚	0.8~2.0mm
Applicable Wire Range/适用线径	AWG #16~#22

5557HP SERIES 4.20mm Pitch Crimp Terminal Socket

Features/产品特性:

- * Dual Row Terminal Socket(双排端子塑壳)
- * Material(材质): Nylon 66 UL 94V-0 (White) / 94V-2 (Natural)
- * Suitable for 5557ST series terminal(适用于5557ST系列端子)
- * Mates with 5557HS series socket & 5557 series wafer(与5557HS塑壳或5557插座配合)



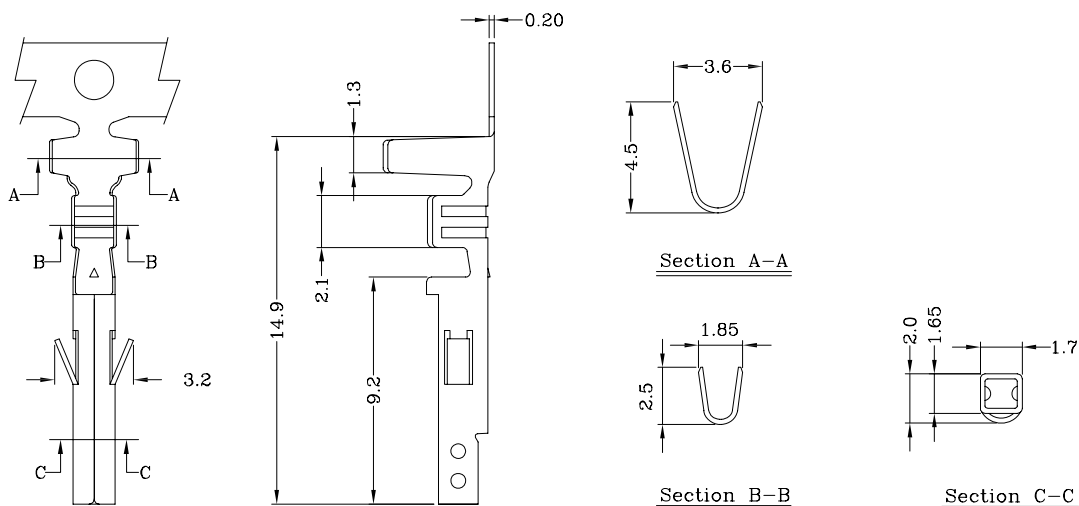
Dimension :

Circuits	Part NO	Dimensions		
		A	B	C
2	5557HP-2*01P	-	5.4	5.6
4	5557HP-2*02P	4.2	9.6	9.8
6	5557HP-2*03P	8.4	13.8	14.0
8	5557HP-2*04P	12.6	18.0	18.2
10	5557HP-2*05P	16.8	22.2	22.4
12	5557HP-2*06P	21.0	26.4	26.6
14	5557HP-2*07P	25.2	30.6	30.8
16	5557HP-2*08P	29.4	34.8	35.0
18	5557HP-2*09P	33.6	39.0	39.2
20	5557HP-2*10P	37.8	43.2	43.4
22	5557HP-2*11P	42.0	47.4	47.6
24	5557HP-2*12P	46.2	51.6	51.8

5557ST SERIES 4.20mm Pitch Crimp Terminal

Features/产品特性:

- * Used in 5557HP series socket(用于5557HP系列塑壳)

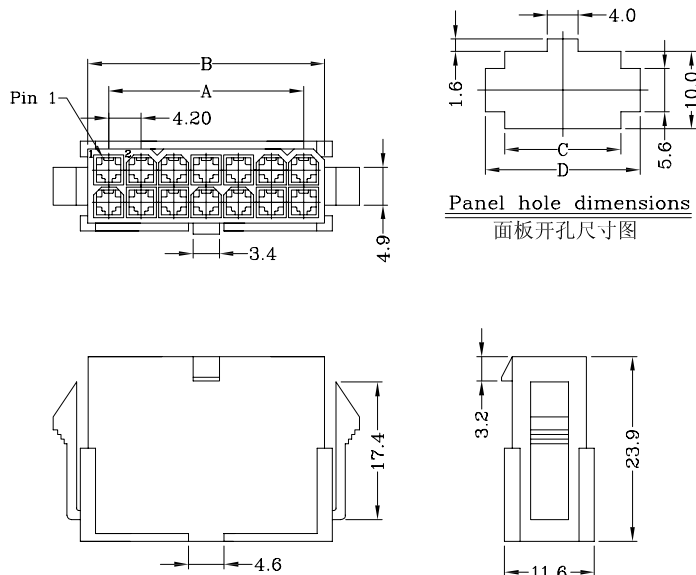


Part No./产品型号	Wire Range/线径范围	Insulation O.D/线外径	Material/材质	Finish/表面处理
5557ST	AWG #18 ~ #22	2.80mm(max)	Brass	Tin-plated
5557ST-P	AWG #18 ~ #22	2.80mm(max)	Phosphor Bronze	Tin-plated

5557HS SERIES 4.20mm Pitch Crimp Terminal Socket

Features/产品特性:

- * Dual Row Terminal Socket(双排端子塑壳)
- * Material(材质): Nylon 66 UL 94V-0 (White) / 94V-2 (Natural)
- * Suitable for 5557PT series terminal(适用于5557PT系列端子)
- * Mates with 5557HP series socket(与5557HP塑壳配合)

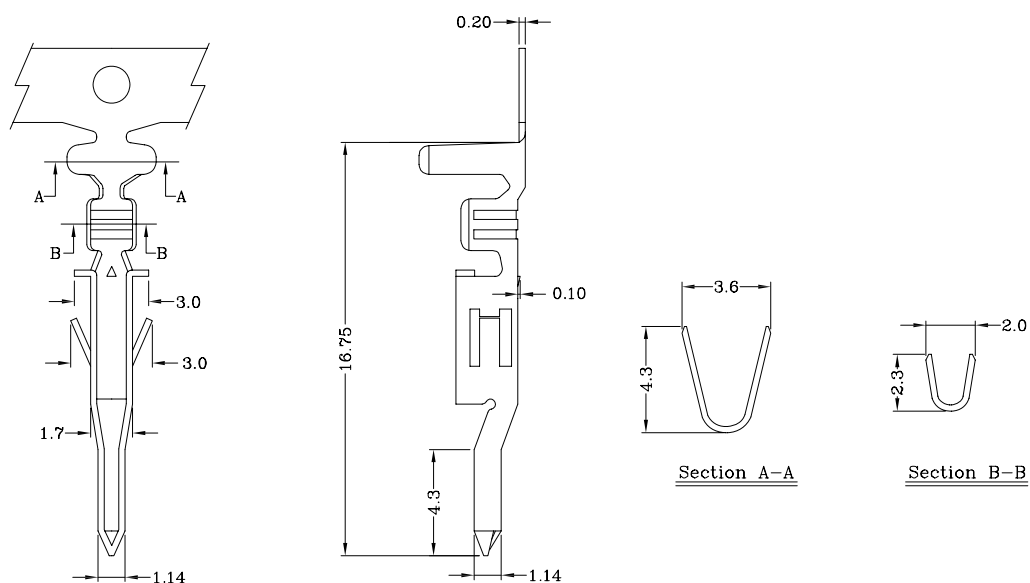


Poles 位数	Part No. 产品型号	Dimensions/尺寸			
		A	B	C	D
2	5557HS-2*01P	-	5.4	6.0	11.0
4	5557HS-2*02P	4.2	9.6	10.2	15.2
6	5557HS-2*03P	8.4	13.8	14.4	19.4
8	5557HS-2*04P	12.6	18.0	18.6	23.6
10	5557HS-2*05P	16.8	22.2	22.8	27.8
12	5557HS-2*06P	21.0	26.4	27.0	32.0
14	5557HS-2*07P	25.2	30.6	31.3	36.2
16	5557HS-2*08P	29.4	34.8	35.5	40.4
18	5557HS-2*09P	33.6	39.0	39.7	44.6
20	5557HS-2*10P	37.8	43.2	43.9	48.8
22	5557HS-2*11P	42.0	47.4	48.1	53.0
24	5557HS-2*12P	46.2	51.6	52.3	57.2

5557PT SERIES 4.20mm Pitch Crimp Terminal

Features/产品特性:

- * Used in 5557HS series socket(用于5557HS系列塑壳)

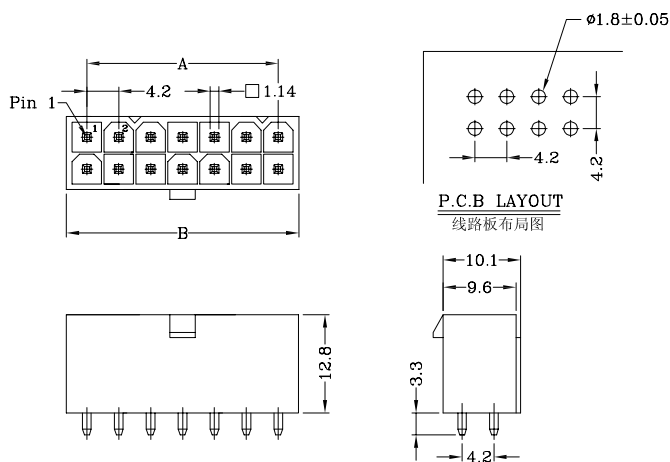


Part No./产品型号	Wire Range/线径范围	Insulation O.D/线外径	Material/材质	Finish/表面处理
5557PT	AWG #18 ~ #22	2.80mm(max)	Brass	Tin-plated
5557PT-P	AWG #18 ~ #22	2.80mm(max)	Phosphor Bronze	Tin-plated

5557 SERIES 4.20mm Pitch Wafer (S-Type) 4.2*4.2mm

Features/产品特性:

- * Dual Row Vertical Wafer(双排直针焊板插座)
- * Material(材质):
Insulator(塑胶本体): Nylon 66 UL 94V-0 (White) / 94V-2 (Natural)
Contacts(接触件): Brass, Tin-plated
- * Mates with 5557HP series socket(与5557HP系列塑壳配合)



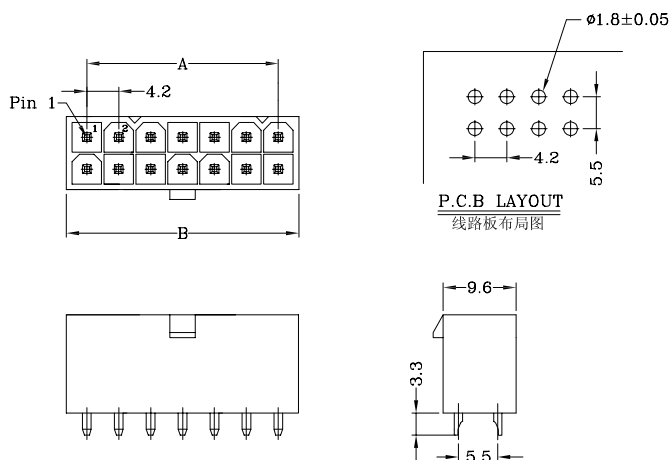
Square Pin Type

Poles 位数	Part No. 产品型号	Dimensions/尺寸	
		A	B
2	5557S-2*01P-4.2	-	5.4
4	5557S-2*02P-4.2	4.2	9.6
6	5557S-2*03P-4.2	8.4	13.8
8	5557S-2*04P-4.2	12.6	18.0
10	5557S-2*05P-4.2	16.8	22.2
12	5557S-2*06P-4.2	21.0	26.4
14	5557S-2*07P-4.2	25.2	30.6
16	5557S-2*08P-4.2	29.4	34.8
18	5557S-2*09P-4.2	33.6	39.0
20	5557S-2*10P-4.2	37.8	43.2
22	5557S-2*11P-4.2	42.0	47.4
24	5557S-2*12P-4.2	46.2	51.6

5557 SERIES 4.20mm Pitch Wafer (S-Type) 4.2*5.5mm

Features/产品特性:

- * Dual Row Vertical Wafer(双排直针焊板插座)
- * Material(材质):
Insulator(塑胶本体): Nylon 66 UL 94V-0 (White) / 94V-2 (Natural)
Contacts(接触件): Brass, Tin-plated
- * Mates with 5557HP series socket(与5557HP系列塑壳配合)



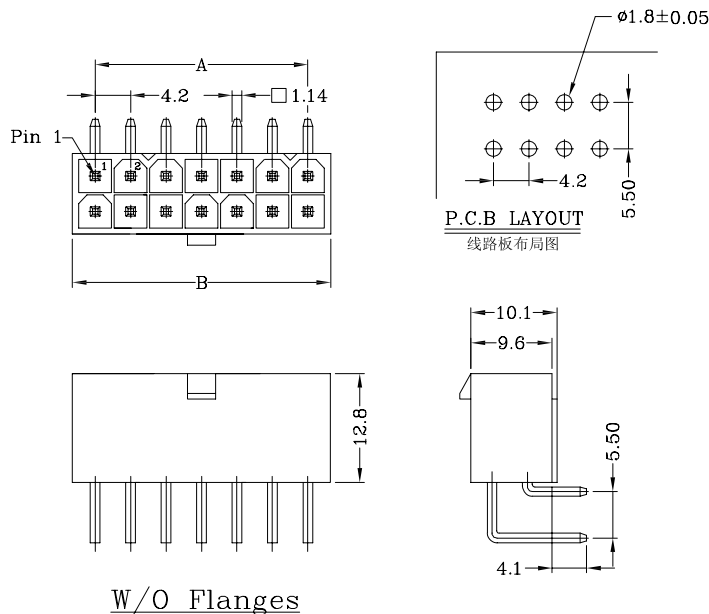
Flat Pin Type

Poles 位数	Part No. 产品型号	Dimensions/尺寸	
		A	B
2	5557S-2*01P-5.5	-	5.4
4	5557S-2*02P-5.5	4.2	9.6
6	5557S-2*03P-5.5	8.4	13.8
8	5557S-2*04P-5.5	12.6	18.0
10	5557S-2*05P-5.5	16.8	22.2
12	5557S-2*06P-5.5	21.0	26.4
14	5557S-2*07P-5.5	25.2	30.6
16	5557S-2*08P-5.5	29.4	34.8
18	5557S-2*09P-5.5	33.6	39.0
20	5557S-2*10P-5.5	37.8	43.2
22	5557S-2*11P-5.5	42.0	47.4
24	5557S-2*12P-5.5	46.2	51.6

5557 SERIES 4.20mm Pitch Wafer (R-Type)

Features/产品特性:

- * Dual Row Horizontal Wafer(双排弯针焊板插座)
- * Material(材质):
Insulator(塑胶本体): Nylon 66 UL 94V-0 (White) / 94V-2 (Natural)
Contacts(接触件): Brass, Tin-plated
- * Mates with 5557HP series socket(与5557HP系列塑壳配合)

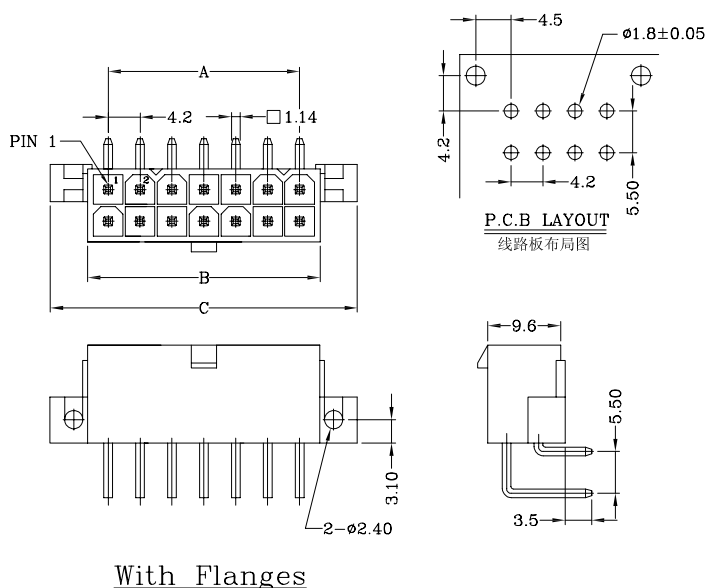


Poles 位数	Part No. 产品型号	Dimensions/尺寸	
		A	B
2	5557R-2*01P-5.5	-	5.4
4	5557R-2*02P-5.5	4.2	9.6
6	5557R-2*03P-5.5	8.4	13.8
8	5557R-2*04P-5.5	12.6	18.0
10	5557R-2*05P-5.5	16.8	22.2
12	5557R-2*06P-5.5	21.0	26.4
14	5557R-2*07P-5.5	25.2	30.6
16	5557R-2*08P-5.5	29.4	34.8
18	5557R-2*09P-5.5	33.6	39.0
20	5557R-2*10P-5.5	37.8	43.2
22	5557R-2*11P-5.5	42.0	47.4
24	5557R-2*12P-5.5	46.2	51.6

5557 SERIES 4.20mm Pitch Wafer (R/E-Type)

Features/产品特性:

- * Dual Row Horizontal Wafer(双排弯针焊板插座)
- * Material(材质):
Insulator(塑胶本体): Nylon 66 UL 94V-0 (White) / 94V-2 (Natural)
Contacts(接触件): Brass, Tin-plated
- * Mates with 5557HP series socket(与5557HP系列塑壳配合)



Poles 位数	Part No. 产品型号	Dimensions/尺寸		
		A	B	C
2	5557R/E-2*01P-5.5	-	5.4	15.4
4	5557R/E-2*02P-5.5	4.2	9.6	19.6
6	5557R/E-2*03P-5.5	8.4	13.8	23.8
8	5557R/E-2*04P-5.5	12.6	18.0	28.0
10	5557R/E-2*05P-5.5	16.8	22.2	32.2
12	5557R/E-2*06P-5.5	21.0	26.4	36.4
14	5557R/E-2*07P-5.5	25.2	30.6	40.6
16	5557R/E-2*08P-5.5	29.4	34.8	44.8
18	5557R/E-2*09P-5.5	33.6	39.0	49.0
20	5557R/E-2*10P-5.5	37.8	43.2	53.2
22	5557R/E-2*11P-5.5	42.0	47.4	57.4
24	5557R/E-2*12P-5.5	46.2	51.6	61.6