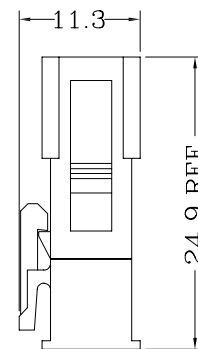
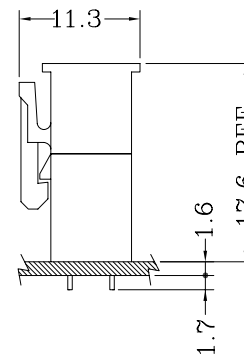


Assembly Layout/装配方案



Wire to Wire/线对线



Wire to Board/线对板

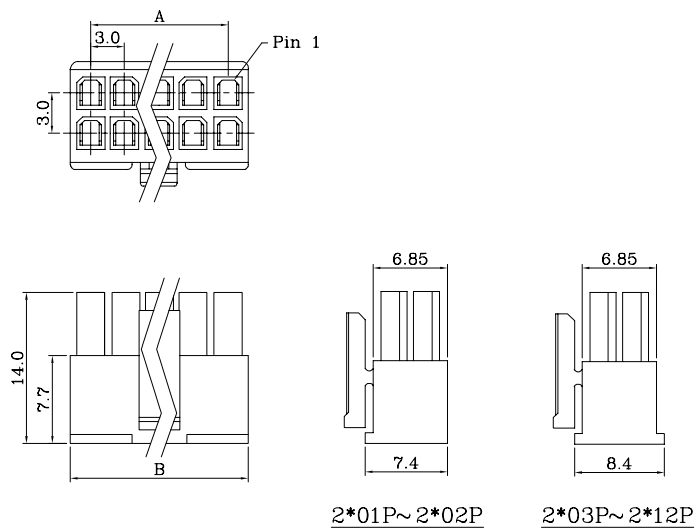
Specifications/技术参数:

Poles/位数	2~24 Poles
Pitch between poles/间距	3.0mm
Rated Voltage/额定电压	250V AV,DC
Rated Current/额定电流	5A
Withstand Voltage/耐压值	1000V AC/minute
Contact Resistance/接触电阻	10mΩ (MAX.)
Insulation Resistance/绝缘电阻	1000MΩ (MIN.)
Temperature Range/温度范围	-25°C ~ +85°C
Applicable PCB Thickness/适用板厚	0.8~2.0mm
Applicable Wire Range/适用线径	AWG #20~#24

3004HP SERIES 3.00mm Pitch Crimp Terminal Socket

Features/产品特性:

- * Dual Row Terminal Socket(双排端子塑壳)
- * Material(材质): Nylon 66 UL 94V-0 (White) / 94V-2 (Natural)
- * Suitable for 3004ST series terminal(适用于3004TS系列端子)
- * Mates with 3004HS series socket & 3004 series wafer(与3004HS塑壳或3004插座配合)

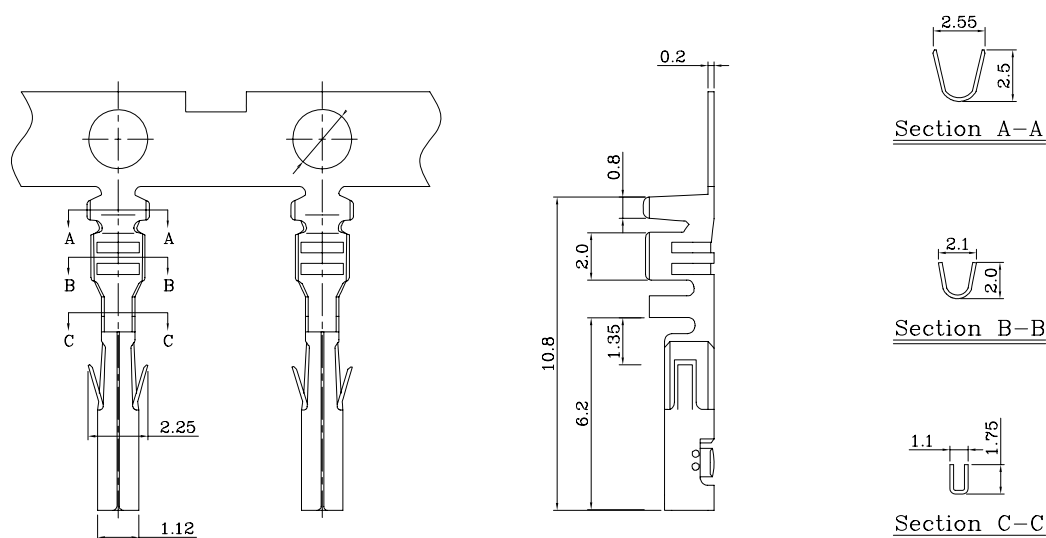


Poles 位数	Part No. 产品型号	Dim./尺寸	
		A	B
2	3004HP-2*01P	-	3.85
4	3004HP-2*02P	3.0	6.85
6	3004HP-2*03P	6.0	9.85
8	3004HP-2*04P	9.0	12.85
10	3004HP-2*05P	12.0	15.85
12	3004HP-2*06P	15.0	18.85
14	3004HP-2*07P	18.0	21.85
16	3004HP-2*08P	21.0	24.85
18	3004HP-2*09P	24.0	27.85
20	3004HP-2*10P	27.0	30.85
22	3004HP-2*11P	30.0	33.85
24	3004HP-2*12P	33.0	36.85

3004ST SERIES 3.00mm Pitch Crimp Terminal

Features/产品特性:

- * Used in 3004HP series socket(用于3004HP系列塑壳)

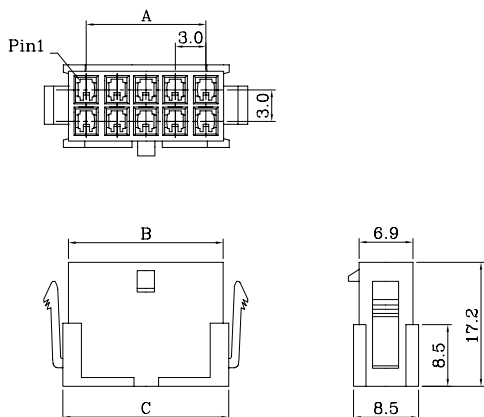


Part No./产品型号	Wire Range/线径范围	Insulation O.D/线外径	Material/材质	Finish/表面处理
3004ST-P	AWG #20 ~ #24	2.70mm(max)	Phosphor Bronze	Tin-plated

3004HS SERIES 3.00mm Pitch Crimp Terminal Socket

Features/产品特性:

- * Dual Row Terminal Socket(双排端子塑壳)
- * Material(材质): Nylon 66 UL 94V-0 (White) / 94V-2 (Natural)
- * Suitable for 3004PT series terminal(适用于3004PT系列端子)
- * Mates with 3004HP series socket & 3004 series wafer(与3004HP塑壳或3004插座配合)

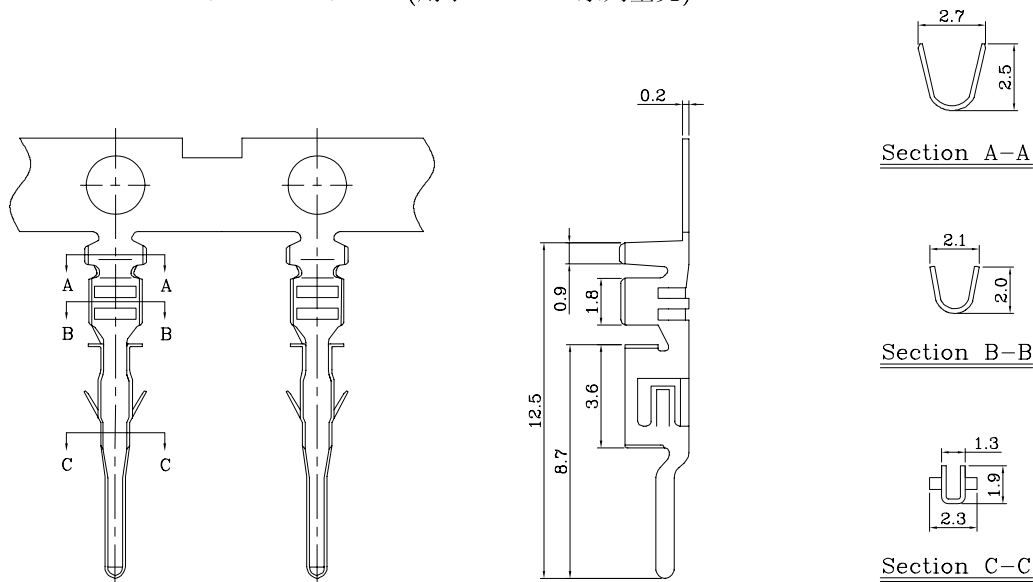


Poles 位数	Part No. 产品型号	Dimensions/尺寸		
		A	B	C
2	3004HS-2*01P	-	3.85	5.40
4	3004HS-2*02P	3.0	6.85	8.40
6	3004HS-2*03P	6.0	9.85	11.40
8	3004HS-2*04P	9.0	12.85	14.40
10	3004HS-2*05P	12.0	15.85	17.40
12	3004HS-2*06P	15.0	18.85	20.40
14	3004HS-2*07P	18.0	21.85	23.40
16	3004HS-2*08P	21.0	24.85	26.40
18	3004HS-2*09P	24.0	27.85	29.40
20	3004HS-2*10P	27.0	30.85	32.40
22	3004HS-2*11P	30.0	33.85	35.40
24	3004HS-2*12P	33.0	36.85	38.40

3004PT SERIES 3.00mm Pitch Crimp Terminal

Features/产品特性:

- * Used in 3004HS series socket(用于3004HS系列塑壳)

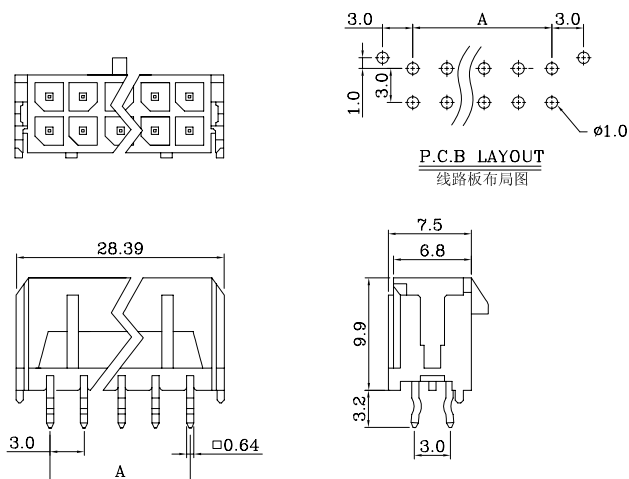


Part No./产品型号	Wire Range/线径范围	Insulation O.D/线外径	Material/材质	Finish/表面处理
3004PT-P	AWG #20 ~ #24	2.70mm(max)	Phosphor Bronze	Tin-plated

3004 SERIES 3.00mm Pitch Wafer (S-Type)

Features/产品特性:

- * Dual Row Vertical Wafer(双排直针焊板插座)
- * Material(材质):
Insulator(塑胶本体): Nylon 66 UL 94V-0 (White) / 94V-2 (Natural)
Contacts(接触件): Brass, Tin-plated
- * Mates with 3004HP series socket(与3004HP系列塑壳配合)

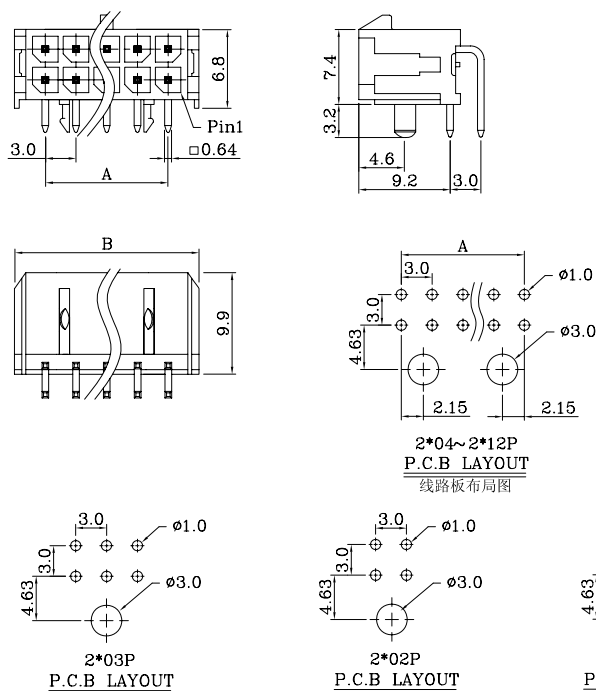


Poles 位数	Part No. 产品型号	Dim./尺寸	
		A	B
2	3004S-2*01P	-	6.65
4	3004S-2*02P	3.0	9.65
6	3004S-2*03P	6.0	12.65
8	3004S-2*04P	9.0	15.65
10	3004S-2*05P	12.0	18.65
12	3004S-2*06P	15.0	21.65
14	3004S-2*07P	18.0	24.65
16	3004S-2*08P	21.0	27.65
18	3004S-2*09P	24.0	30.65
20	3004S-2*10P	27.0	33.65
22	3004S-2*11P	30.0	36.65
24	3004S-2*12P	33.0	39.65

3004 SERIES 3.00mm Pitch Wafer (R-Type)

Features/产品特性:

- * Dual Row Vertical Wafer(双排弯针焊板插座)
- * Material(材质):
Insulator(塑胶本体): Nylon 66 UL 94V-0 (White) / 94V-2 (Natural)
Contacts(接触件): Brass, Tin-plated
- * Mates with 3004HP series socket(与3004HP系列塑壳配合)



Poles 位数	Part No. 产品型号	Dim./尺寸	
		A	B
2	3004R-2*01P	-	6.65
4	3004R-2*02P	3.0	9.65
6	3004R-2*03P	6.0	12.65
8	3004R-2*04P	9.0	15.65
10	3004R-2*05P	12.0	18.65
12	3004R-2*06P	15.0	21.65
14	3004R-2*07P	18.0	24.65
16	3004R-2*08P	21.0	27.65
18	3004R-2*09P	24.0	30.65
20	3004R-2*10P	27.0	33.65
22	3004R-2*11P	30.0	36.65
24	3004R-2*12P	33.0	39.65