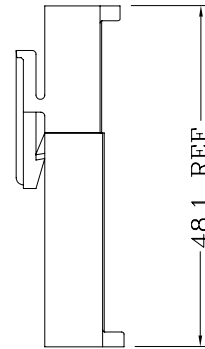


Assembly Layout/装配方案



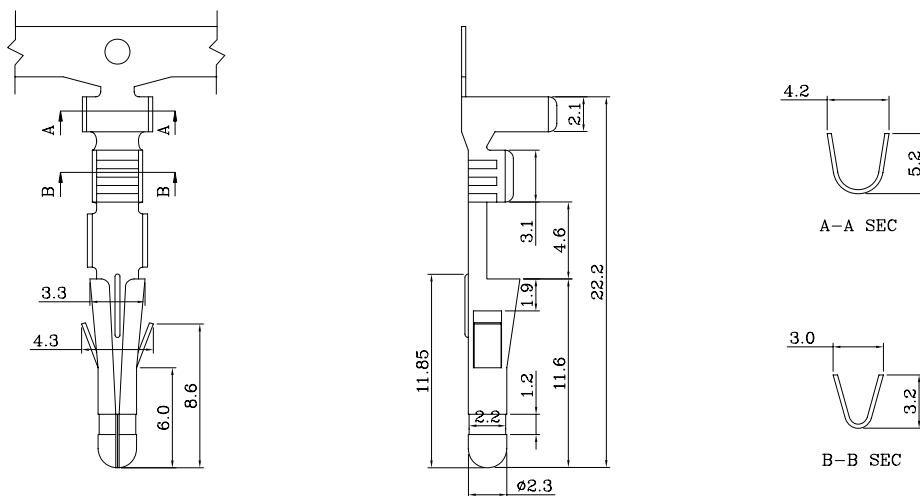
Specifications/技术参数:

Poles/位数	1~15 Poles
Plug Diameter/插头直径	Ø 2.36mm
Rated Voltage/额定电压	600V AV,DC
Rated Current/额定电流	15A (AWG #14)
Withstand Voltage/耐压值	1500V AC/minute
Contact Resistance/接触电阻	10mΩ (MAX.)
Insulation Resistance/绝缘电阻	1000MΩ (MIN.)
Temperature Range/温度范围	-25°C ~ +85°C
Applicable Wire Range/适用线径	AWG #14~#20

2030A SERIES Ø2.36mm Plug Crimp Terminal

Features/产品特性:

* Used in 2030A series socket(用于2030A系列塑壳)

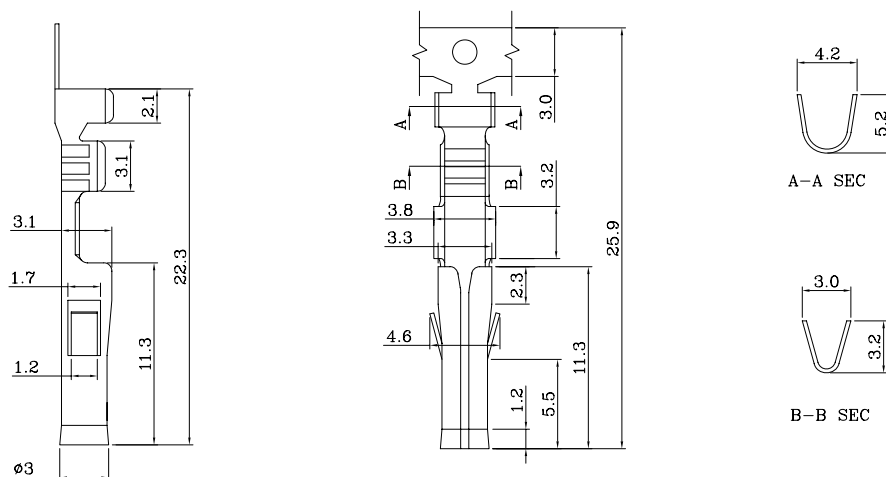


Part No./产品型号	Wire Range/线径范围	Insulation O.D/线外径	Material/材质	Finish/表面处理
2030AT	AWG #18 ~ #24	2.50mm(max)	Brass	Tin-plated

2130A SERIES Ø2.36 Receptacle Crimp Terminal

Features/产品特性:

* Used in 2130A series socket(用于2130A系列塑壳)



Part No./产品型号	Wire Range/线径范围	Insulation O.D/线外径	Material/材质	Finish/表面处理
2130AT	AWG #18 ~ #24	2.50mm(max)	Brass	Tin-plated

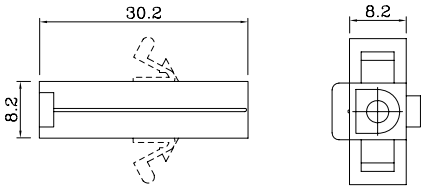
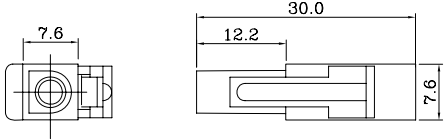
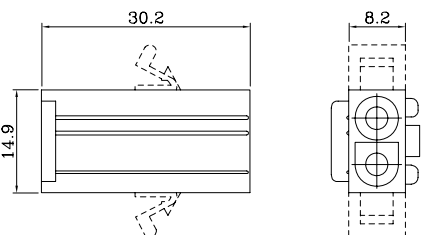
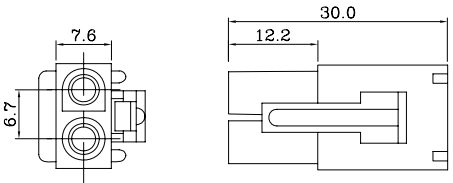
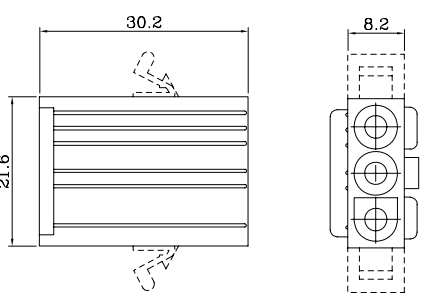
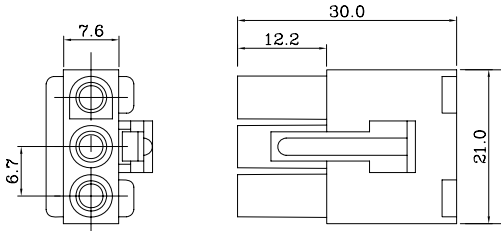
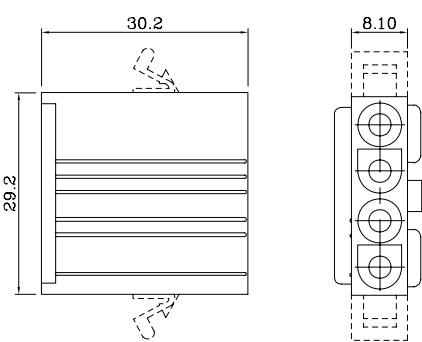
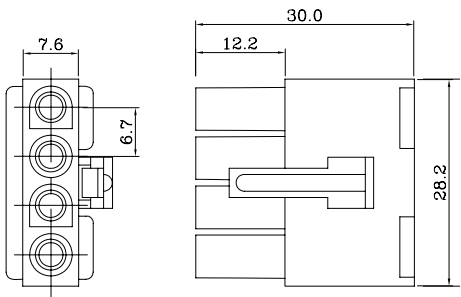


2030A/2130A SERIES Ø2.36mm Plug and Receptacle Terminal Socket

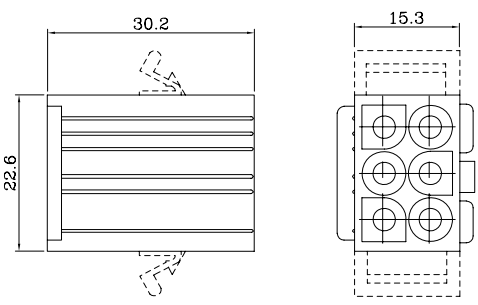
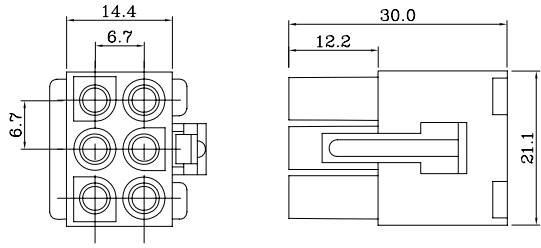
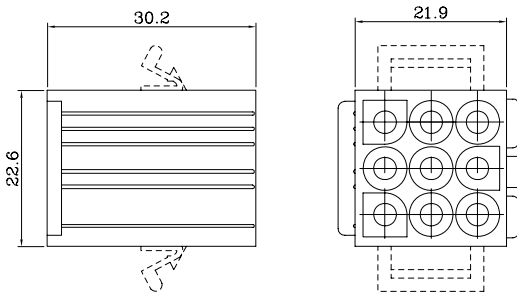
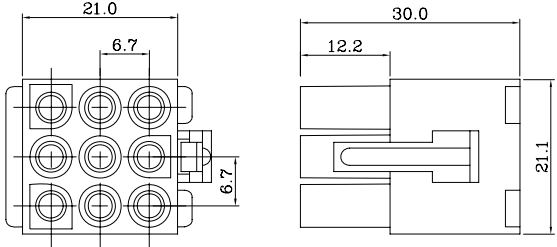
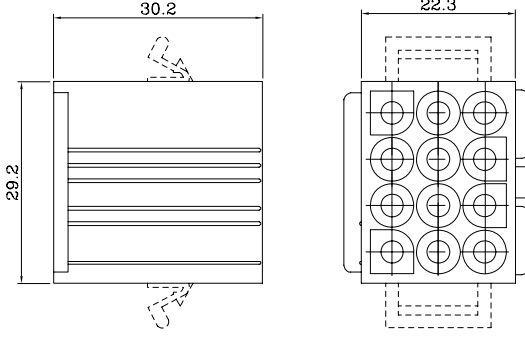
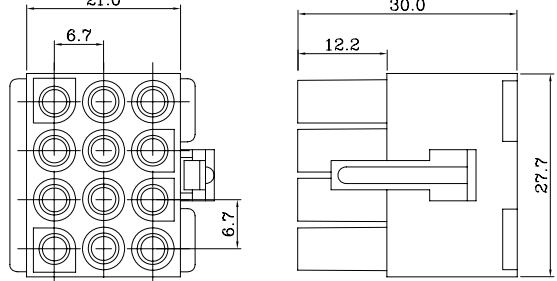
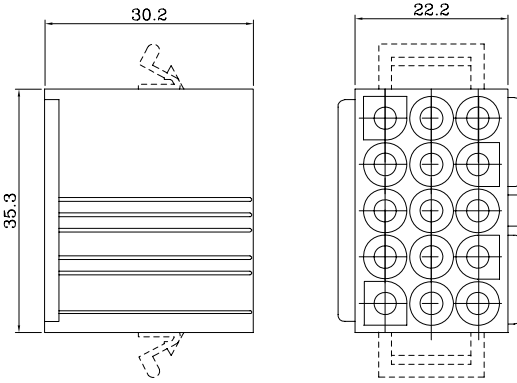
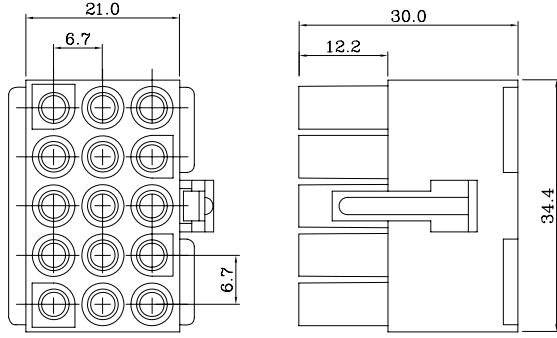
Features/产品特性:

- * Single, Dual & Triple Row Terminal Socket(单排,双排和三排端子塑壳)
- * Material(材质): Nylon 66 UL 94V-2 (Natural)

Specification/产品说明:

PLUG/插头	RECEPTACLE/插座
 <p data-bbox="411 730 671 763">2030AH-1*01P(K)</p>	 <p data-bbox="1058 730 1273 763">2130AH-1*01P</p>
 <p data-bbox="411 1111 671 1144">2030AH-1*02P(K)</p>	 <p data-bbox="1058 1111 1273 1144">2130AH-1*02P</p>
 <p data-bbox="411 1541 671 1574">2030AH-1*03P(K)</p>	 <p data-bbox="1058 1541 1273 1574">2130AH-1*03P</p>
 <p data-bbox="411 2022 671 2056">2030AH-1*04P(K)</p>	 <p data-bbox="1058 2022 1273 2056">2130AH-1*04P</p>

Specification/产品说明：

PLUG/插头	RECEPTACLE/插座
 <p style="text-align: center;">2030AH-2*03P(K)</p>	 <p style="text-align: center;">2130AH-2*03P</p>
 <p style="text-align: center;">2030AH-3*03P(K)</p>	 <p style="text-align: center;">2130AH-3*03P</p>
 <p style="text-align: center;">2030AH-3*04P(K)</p>	 <p style="text-align: center;">2130AH-3*04P</p>
 <p style="text-align: center;">2030AH-3*05P(K)</p>	 <p style="text-align: center;">2130AH-3*05P</p>