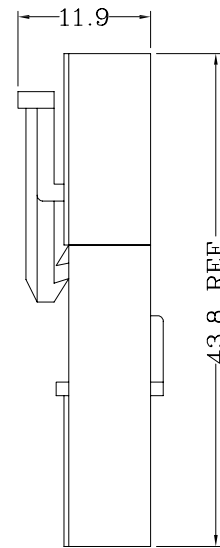


Assembly Layout/装配方案



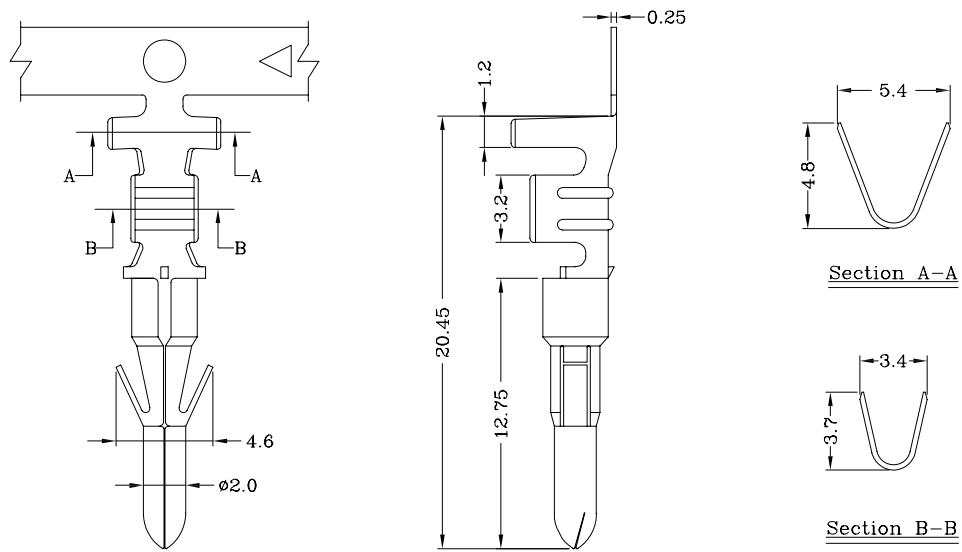
## Specifications/技术参数:

Poles/位数	1~15 Poles
Plug Diameter/插头直径	Ø2.00mm
Rated Voltage/额定电压	250V AC,DC
Rated Current/额定电流	10A (AWG #14)
Withstand Voltage/耐压值	1500V AC/minute
Contact Resistance/接触电阻	10mΩ (MAX.)
Insulation Resistance/绝缘电阻	1000MΩ (MIN.)
Temperature Range/温度范围	-40°C ~ +85°C
Applicable Panel Thickness/适用面板厚	0.8~2.0mm
Applicable Wire Range/适用线径	AWG #14~#20

## 2020 SERIES Ø2.00 Plug Crimp Terminal

Features/产品特性:

\* Used in 2020 series socket(用于2020系列塑壳)

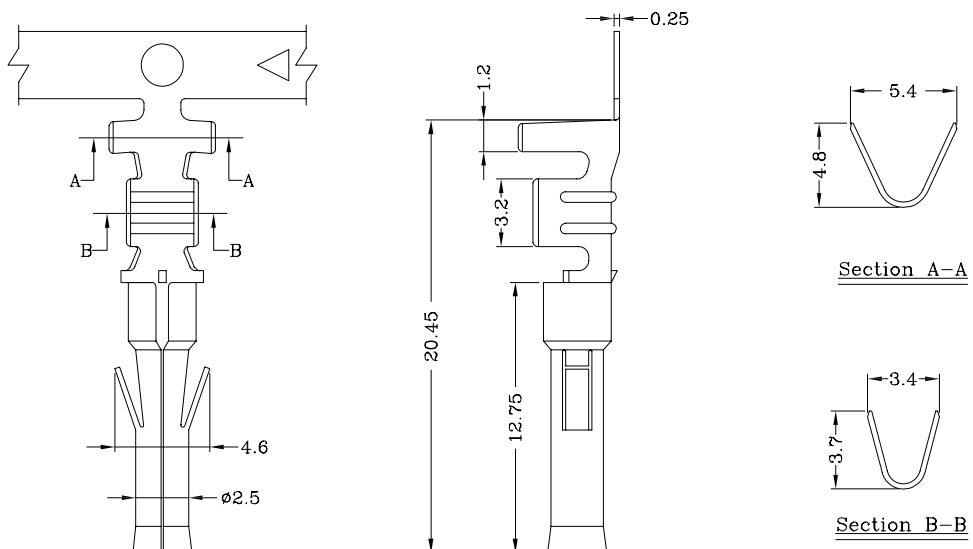


Part No./产品型号	Wire Range/线径范围	Insulation O.D/线外径	Material/材质	Finish/表面处理
2020T	AWG #14 ~ #20	3.60mm(max)	Brass	Tin-plated

## 2120 SERIES Ø2.00 Receptacle Crimp Terminal

Features/产品特性:

\* Used in 2120 series socket(用于2120系列塑壳)

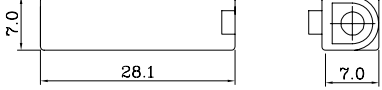
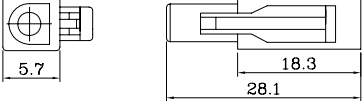
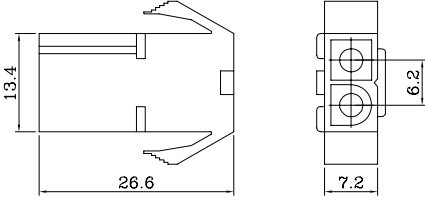
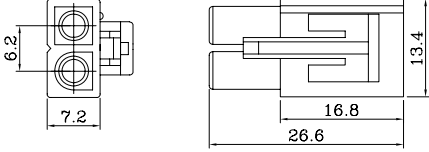
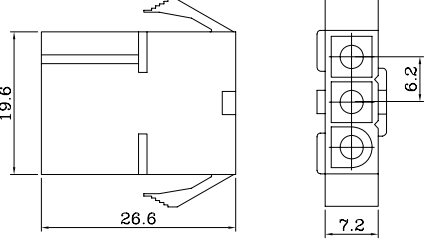
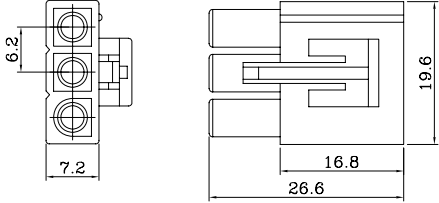
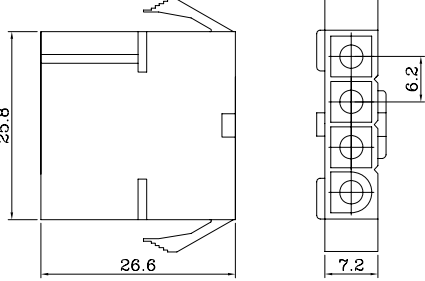
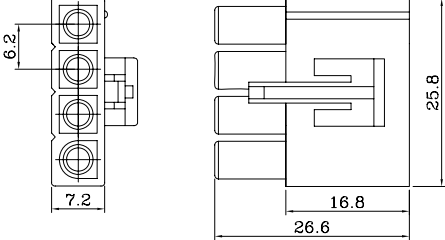
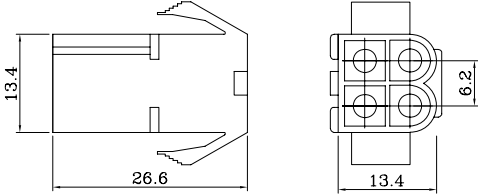
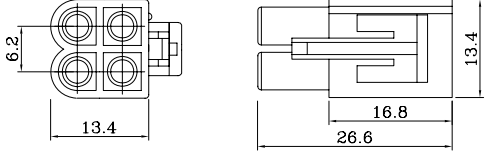


Part No./产品型号	Wire Range/线径范围	Insulation O.D/线外径	Material/材质	Finish/表面处理
2120T	AWG #14 ~ #20	3.50mm(max)	Brass	Tin-plated

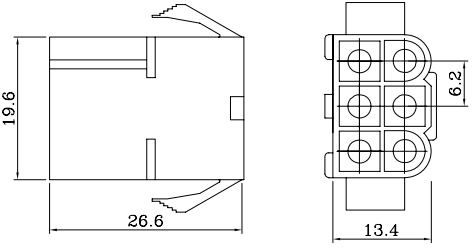
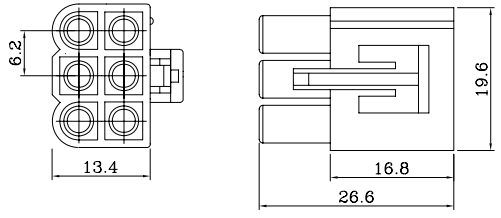
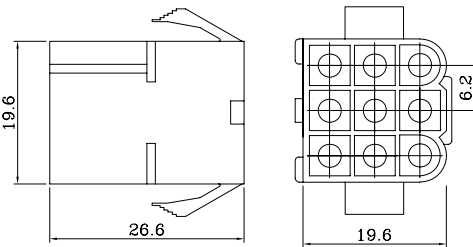
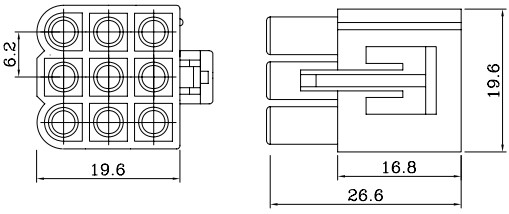
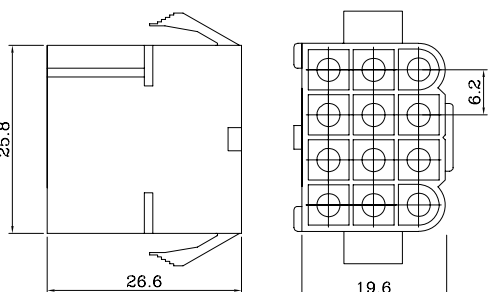
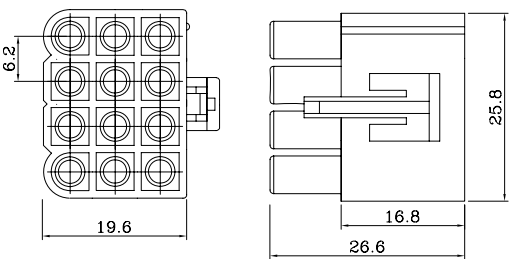
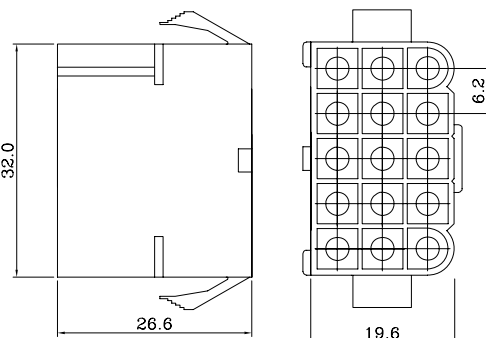
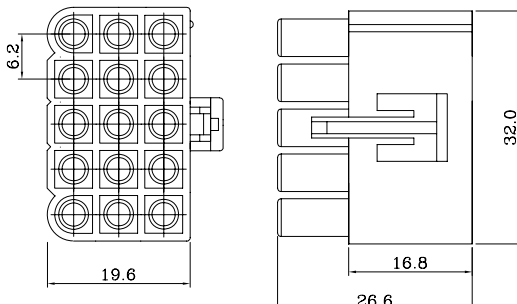
Features/产品特性:

- \* Single, Dual & Triple Row Terminal Socket(单排,双排和三排端子塑壳)
- \* Material(材质): Nylon 66 UL 94V-2 (Natural)

Specification/产品说明:

PLUG/插头	RECEPTACLE/插座
 <p style="text-align: center;">2020H-1*01P</p>	 <p style="text-align: center;">2120H-1*01P</p>
 <p style="text-align: center;">2020H-1*02P-K</p>	 <p style="text-align: center;">2120H-1*02P</p>
 <p style="text-align: center;">2020H-1*03P-K</p>	 <p style="text-align: center;">2120H-1*03P</p>
 <p style="text-align: center;">2020H-1*04P-K</p>	 <p style="text-align: center;">2120H-1*04P</p>
 <p style="text-align: center;">2020H-2*02P-K</p>	 <p style="text-align: center;">2120H-2*02P</p>

Specification/产品说明：

PLUG/插头	RECEPTACLE/插座
 <p style="text-align: center;"><u>2020H-2*03P-K</u></p>	 <p style="text-align: center;"><u>2120H-2*03P</u></p>
 <p style="text-align: center;"><u>2020H-3*03P-K</u></p>	 <p style="text-align: center;"><u>2120H-3*03P</u></p>
 <p style="text-align: center;"><u>2020H-3*04P-K</u></p>	 <p style="text-align: center;"><u>2120H-3*04P</u></p>
 <p style="text-align: center;"><u>2020H-3*05P-K</u></p>	 <p style="text-align: center;"><u>2120H-3*05P</u></p>