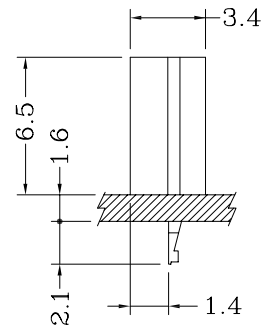


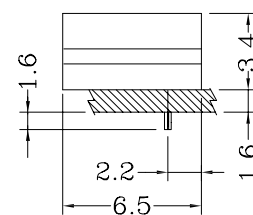
Assembly Layout/装配方案



S-Type/直插型

Specifications/技术参数:

Poles/位数	2~20 Poles
Pitch between poles/间距	2.50mm
Rated Voltage/额定电压	250V AV,DC
Rated Current/额定电流	3A (AWG #22)
Withstand Voltage/耐压值	1000V AC/minute
Insulation Resistance/绝缘电阻	1000MΩ (MIN.)
Temperature Range/温度范围	-25°C ~ +85°C
Applicable PCB Thickness/适用板厚	1.2~1.6mm
Applicable PCB Hole dia./适用孔径	∅1.00 $\pm_{0.10}^0$ mm
Applicable Wire Range/适用线径	AWG #22~#28



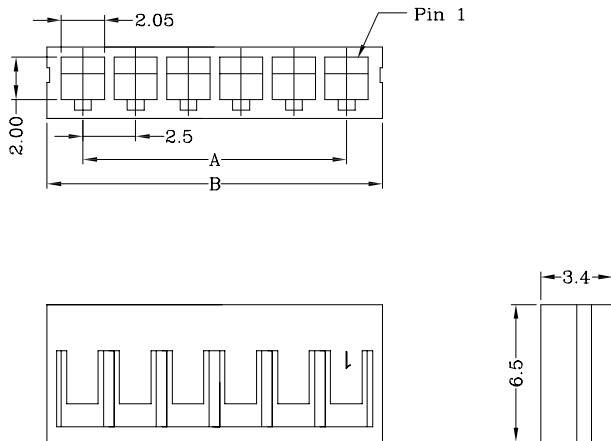
R-Type/弯插型

3001HS SERIES 2.50mm Pitch Board-in Terminal Socket (S-Type)



Features/产品特性:

- * Single Row Terminal Socket(单排端子塑壳)
- * Material(材质): Nylon 66 UL 94V-0 (White)
- * Suitable for 3001TS terminal(适用于3001TS系列端子)

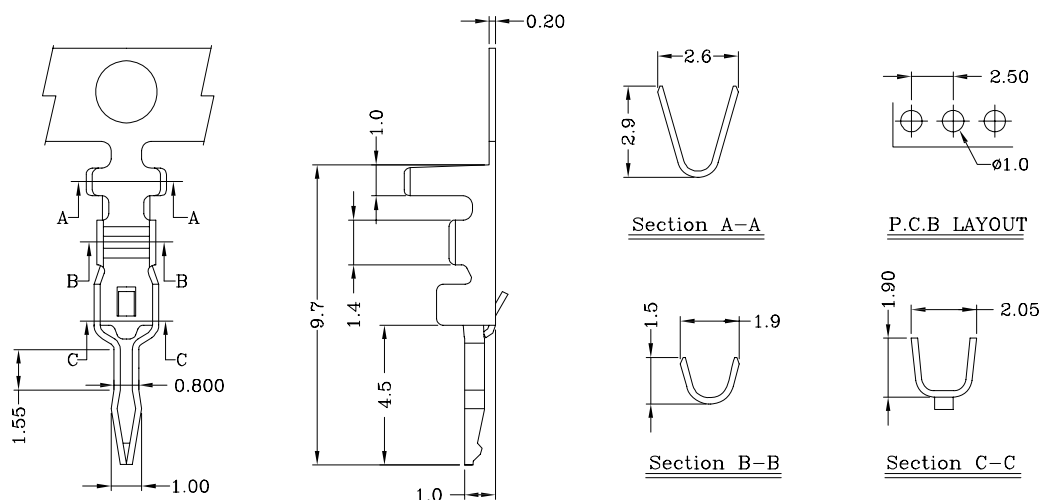


Poles 位数	Part No. 产品型号	Dimensions/尺寸	
		A	B
2	3001HS-02P	2.5	5.9
3	3001HS-03P	5.0	8.4
4	3001HS-04P	7.5	10.9
5	3001HS-05P	10.0	13.4
6	3001HS-06P	12.5	15.9
7	3001HS-07P	15.0	18.4
8	3001HS-08P	17.5	20.9
9	3001HS-09P	20.0	23.4
10	3001HS-10P	22.5	25.9
11	3001HS-11P	25.0	28.4
12	3001HS-12P	27.5	30.9
13	3001HS-13P	30.0	33.4
14	3001HS-14P	32.5	35.9
15	3001HS-15P	35.0	38.4
16	3001HS-16P	37.5	40.9
17	3001HS-17P	40.0	43.4
18	3001HS-18P	42.5	45.9
19	3001HS-19P	45.0	48.4
20	3001HS-20P	47.5	50.9

3001TS SERIES 2.50mm Pitch Crimp Terminal (S-Type)

Features/产品特性:

- * PCB Thickness(板厚): 1.60mm
- * Used in 3001HS Series socket(用于3001HS系列塑壳)



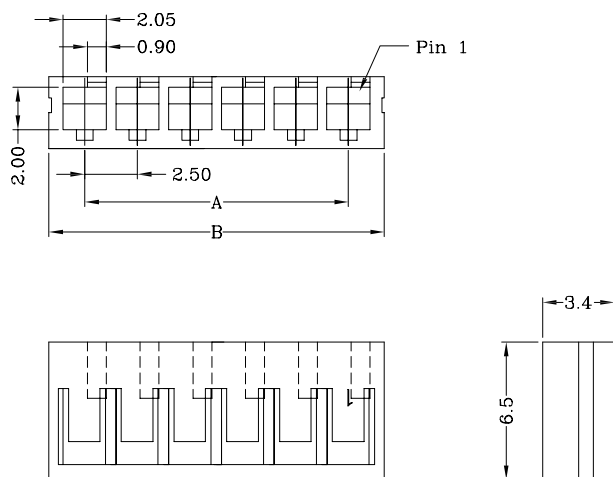
Part No./产品型号	Wire Range/线径范围	Insulation O.D/线外径	Material/材质	Finish/表面处理
3001TS	AWG #22 ~ #28	1.90mm(max)	Brass	Tin-plated
3001TS-P	AWG #22 ~ #28	1.90mm(max)	Phosphor bronze	Tin-plated



3001HR SERIES 2.50mm Pitch Board-in Terminal Socket (R-Type)

Features/产品特性:

- * Single Row Terminal Socket(单排端子塑壳)
- * Material(材质): Nylon 66 UL 94V-0 (White)
- * Suitable for 3001TR terminal(适用于3001TR系列端子)

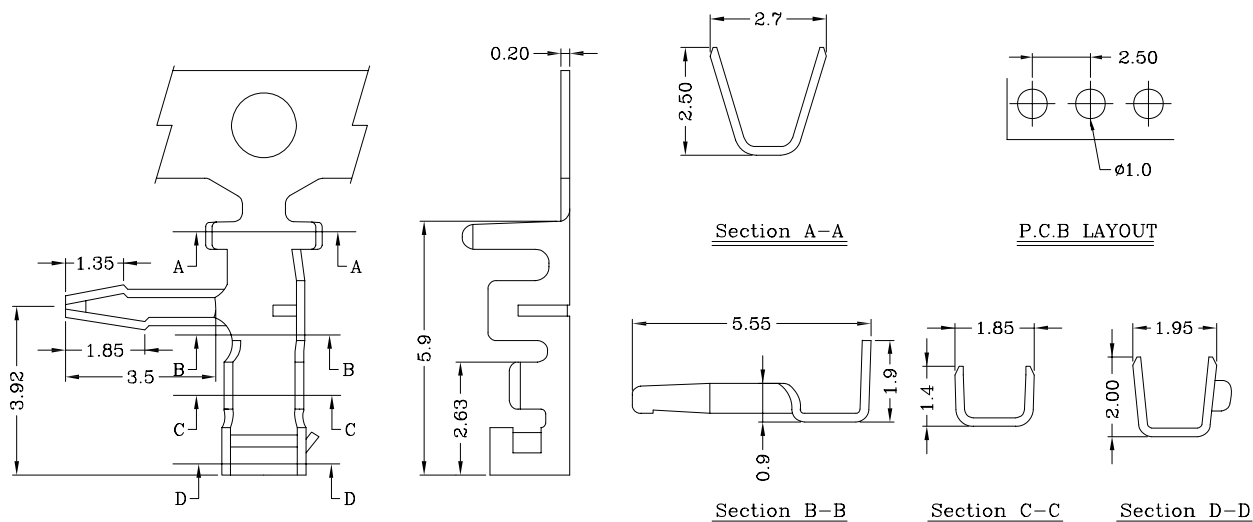


Poles 位数	Part No. 产品型号	Dimensions/尺寸	
		A	B
2	3001HR-02P	2.5	5.9
3	3001HR-03P	5.0	8.4
4	3001HR-04P	7.5	10.9
5	3001HR-05P	10.0	13.4
6	3001HR-06P	12.5	15.9
7	3001HR-07P	15.0	18.4
8	3001HR-08P	17.5	20.9
9	3001HR-09P	20.0	23.4
10	3001HR-10P	22.5	25.9
11	3001HR-11P	25.0	28.4
12	3001HR-12P	27.5	30.9
13	3001HR-13P	30.0	33.4
14	3001HR-14P	32.5	35.9
15	3001HR-15P	35.0	38.4
16	3001HR-16P	37.5	40.9
17	3001HR-17P	40.0	43.4
18	3001HR-18P	42.5	45.9
19	3001HR-19P	45.0	48.4
20	3001HR-20P	47.5	50.9

3001TR SERIES 2.50mm Pitch Crimp Terminal (R-Type)

Features/产品特性:

- * PCB Thickness(板厚): 1.60mm
- * Used in 3001HR Series socket(用于3001HR系列塑壳)



Part No./产品型号	Wire Range/线径范围	Insulation O.D/线外径	Material/材质	Finish/表面处理
3001TR	AWG #22 ~ #28	1.90mm(max)	Brass	Tin-plated
3001TR-P	AWG #22 ~ #28	1.90mm(max)	Phosphor bronze	Tin-plated