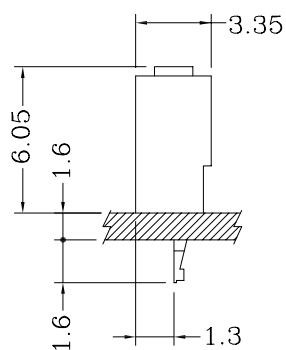


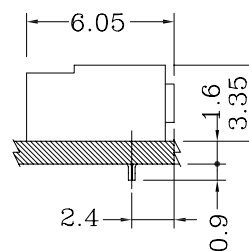
Assembly Layout/装配方案



S-Type/直插型

Specifications/技术参数:

Poles/位数	2~20 Poles
Pitch between poles/间距	2.00mm
Rated Voltage/额定电压	250V AV,DC
Rated Current/额定电流	2A (AWG #24)
Withstand Voltage/耐压值	800V AC/minute
Insulation Resistance/绝缘电阻	1000MΩ (MIN.)
Temperature Range/温度范围	-25°C ~ +85°C
Applicable PCB Thickness/适用板厚	1.6mm
Applicable PCB Hole dia./适用孔径	∅0.85 <sup>+0</sup> <sub>-0.10</sub> mm
Applicable Wire Range/适用线径	AWG #24~#30



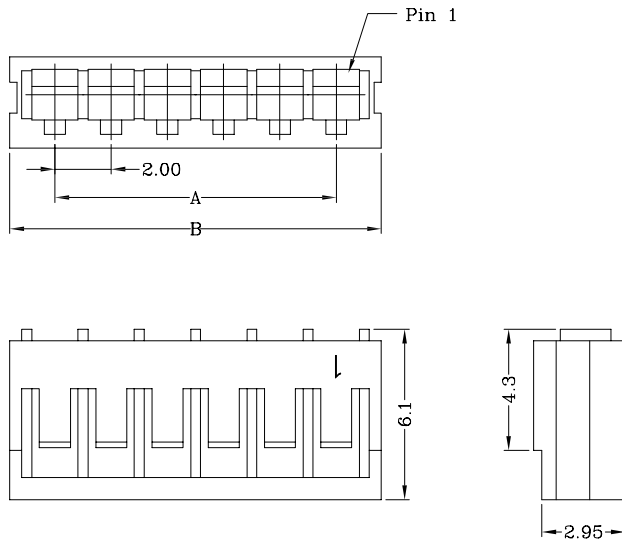
R-Type/弯插型

# 1130HS SERIES 2.00mm Pitch Board-in Terminal Socket (S-Type)



Features/产品特性:

- \* Single Row Terminal Socket(单排端子塑壳)
- \* Material(材质): Nylon 66 UL 94V-0 (White)
- \* Suitable for 1130TS terminal(适用于1130TS系列端子)

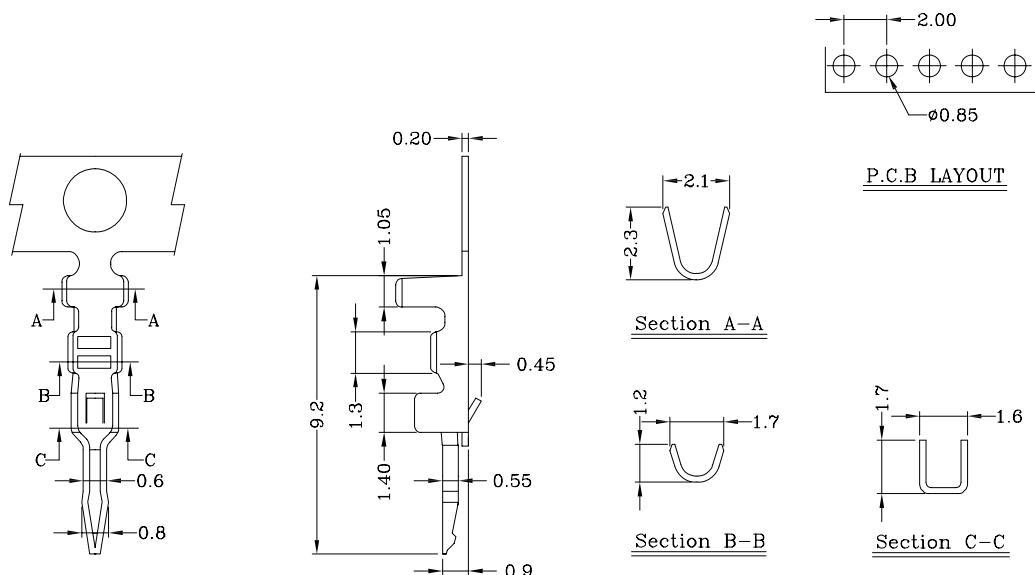


Poles 位数	Part No. 产品型号	Dimensions/尺寸	
		A	B
2	1130HS-02P	2.0	5.2
3	1130HS-03P	4.0	7.2
4	1130HS-04P	6.0	9.2
5	1130HS-05P	8.0	11.2
6	1130HS-06P	10.0	13.2
7	1130HS-07P	12.0	15.2
8	1130HS-08P	14.0	17.2
9	1130HS-09P	16.0	19.2
10	1130HS-10P	18.0	21.2
11	1130HS-11P	20.0	23.2
12	1130HS-12P	22.0	25.2
13	1130HS-13P	24.0	27.2
14	1130HS-14P	26.0	29.2
15	1130HS-15P	28.0	31.2
16	1130HS-16P	30.0	33.2
17	1130HS-17P	32.0	35.2
18	1130HS-18P	34.0	37.2
19	1130HS-19P	36.0	39.2
20	1130HS-20P	38.0	41.2

# 1130TS SERIES 2.00mm Pitch Crimp Terminal (S-Type)

Features/产品特性:

- \* PCB Thickness(板厚): 1.60mm
- \* Used in 1130HS Series socket(用于1130HS系列塑壳)



Part No./产品型号	Wire Range/线径范围	Insulation O.D/线外径	Material/材质	Finish/表面处理
1130TS	AWG #24 ~ #30	1.40mm(max)	Brass	Tin-plated
1130TS-P	AWG #24 ~ #30	1.40mm(max)	Phosphor bronze	Tin-plated

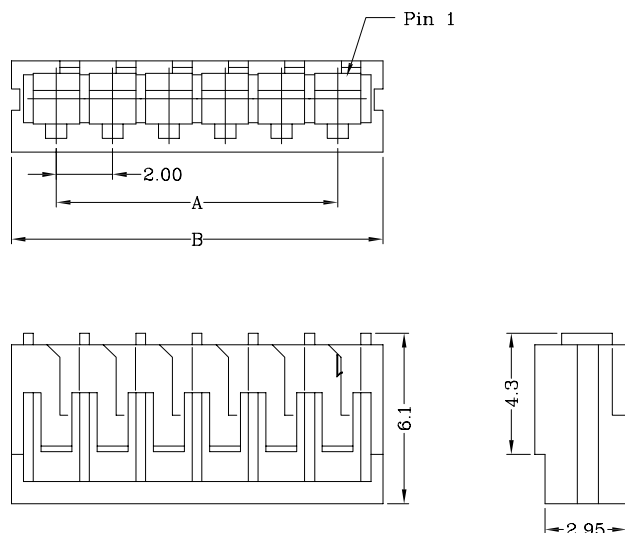


# 1130HR SERIES 2.00mm Pitch Board-in Terminal Socket (R-Type)

CIFTEK

Features/产品特性:

- \* Single Row Terminal Socket(单排端子塑壳)
- \* Material(材质): Nylon 66 UL 94V-0 (White)
- \* Suitable for 1130TR terminal(适用于1130TR系列端子)

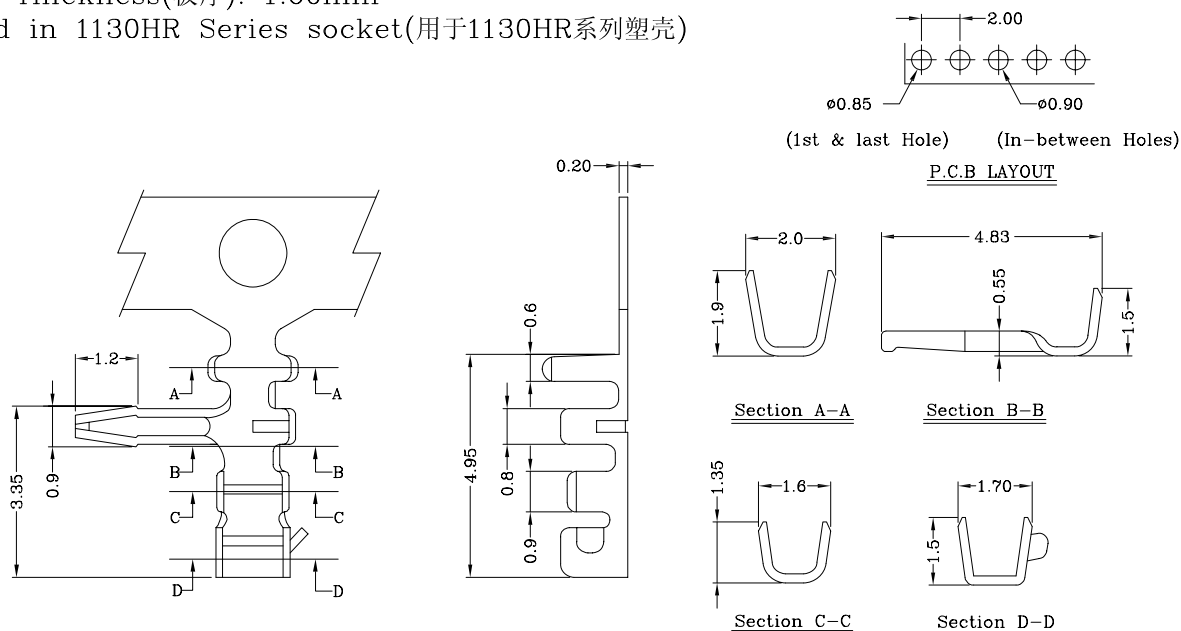


Poles 位数	Part No. 产品型号	Dimensions/尺寸	
		A	B
2	1130HR-02P	2.0	5.2
3	1130HR-03P	4.0	7.2
4	1130HR-04P	6.0	9.2
5	1130HR-05P	8.0	11.2
6	1130HR-06P	10.0	13.2
7	1130HR-07P	12.0	15.2
8	1130HR-08P	14.0	17.2
9	1130HR-09P	16.0	19.2
10	1130HR-10P	18.0	21.2
11	1130HR-11P	20.0	23.2
12	1130HR-12P	22.0	25.2
13	1130HR-13P	24.0	27.2
14	1130HR-14P	26.0	29.2
15	1130HR-15P	28.0	31.2
16	1130HR-16P	30.0	33.2
17	1130HR-17P	32.0	35.2
18	1130HR-18P	34.0	37.2
19	1130HR-19P	36.0	39.2
20	1130HR-20P	38.0	41.2

# 1130TR SERIES 2.00mm Pitch Crimp Terminal (R-Type)

Features/产品特性:

- \* PCB Thickness(板厚): 1.60mm
- \* Used in 1130HR Series socket(用于1130HR系列塑壳)



Part No./产品型号	Wire Range/线径范围	Insulation O.D/线外径	Material/材质	Finish/表面处理
1130TR	AWG #24 ~ #30	1.40mm(max)	Brass	Tin-plated
1130TR-P	AWG #24 ~ #30	1.40mm(max)	Phosphor bronze	Tin-plated