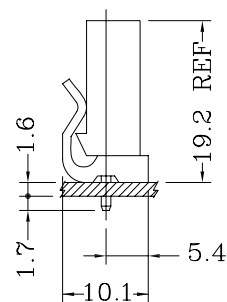


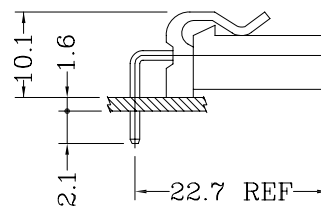
Assembly Layout/装配方案



S-Type/直插型

Specifications/技术参数:

Poles/位数	2~16 Poles
Pitch between poles/间距	3.96mm
Rated Voltage/额定电压	250V AV,DC
Rated Current/额定电流	6A (AWG #18)
Withstand Voltage/耐压值	1500V AC/minute
Contact Resistance/接触电阻	10mΩ (MAX.)
Insulation Resistance/绝缘电阻	1000MΩ (MIN.)
Temperature Range/温度范围	-25°C ~ +85°C
Applicable PCB Thickness/适用板厚	1.6mm
Applicable PCB Hole dia./适用孔径	∅1.75±0.05mm
Applicable Wire Range/适用线径	AWG #18~#26

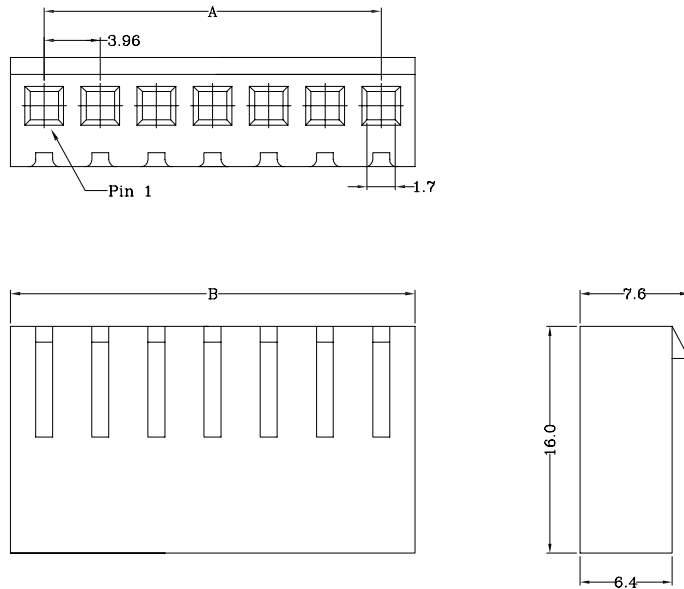


R-Type/弯插型

401A SERIES 3.96mm Pitch Crimp Terminal Socket

Features/产品特性:

- * Single Row Terminal Socket(单排端子塑壳)
- * Material(材质): Nylon 66 UL 94V-0 (White)
- * Suitable for 401A series terminal(适用于401A系列端子)

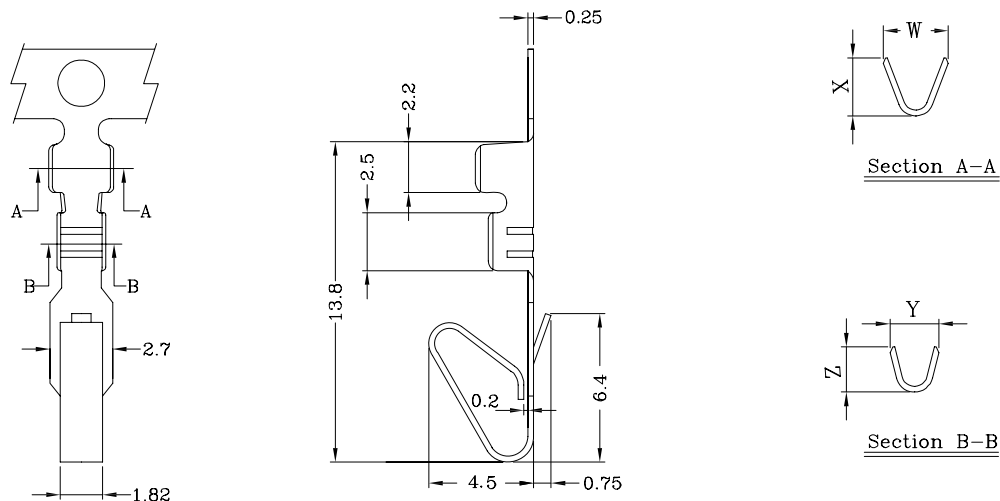


Poles 位数	Part No. 产品型号	Dimensions/尺寸	
		A	B
2	401AH-02P	3.96	8.71
3	401AH-03P	7.92	12.67
4	401AH-04P	11.88	16.63
5	401AH-05P	15.84	20.59
6	401AH-06P	19.80	24.55
7	401AH-07P	23.76	28.51
8	401AH-08P	27.72	32.47
9	401AH-09P	31.68	36.43
10	401AH-10P	35.64	40.39
11	401AH-11P	39.60	44.35
12	401AH-12P	43.56	48.31
13	401AH-13P	47.52	52.27
14	401AH-14P	51.48	56.23
15	401AH-15P	55.44	60.19
16	401AH-16P	59.40	64.15

401A SERIES 3.96mm Pitch Crimp Terminal

Features/产品特性:

- * Used in 401A series socket(用于401A系列塑壳)

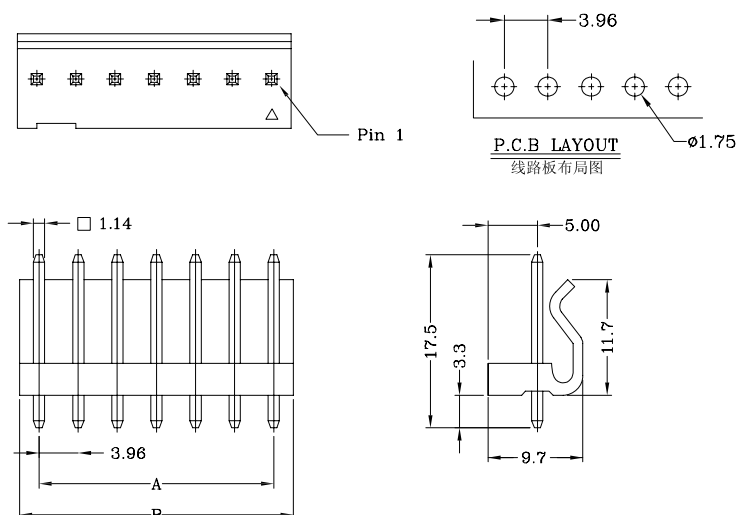


Part No./产品型号	W	X	Y	Z	Wire Range/线径范围	Insulation O.D/线外径	Material/材质	Finish/表面处理
401AT-2.8	3.7	3.5	2.8	2.5	AWG #18 ~ #22	2.80mm(max)	Brass	Tin-plated
401AT-P-2.8	3.7	3.5	2.8	2.5	AWG #18 ~ #22	2.80mm(max)	Phosphor bronze	Tin-plated
401AT-2.5	2.8	2.5	2.1	1.95	AWG #24 ~ #26	2.50mm(max)	Brass	Tin-plated
401AT-P-2.5	2.8	2.5	2.1	1.95	AWG #24 ~ #26	2.50mm(max)	Phosphor bronze	Tin-plated

401A SERIES 3.96mm Pitch Wafer (S-Type)

Features/产品特性:

- * Single Row Vertical DIP Wafer(单排直针焊板插座)
- * Material(材质):
Insulator(塑胶本体): Nylon 66 UL 94V-0 (White)
Contacts(接触件): Brass, Tin-Plated
- * Mates with 401A series socket(与401A系列塑壳配合)

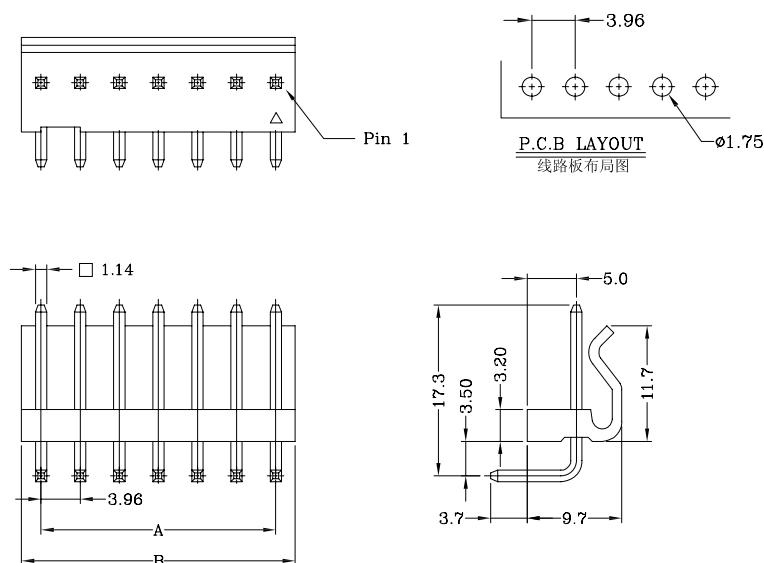


Poles 位数	Part No. 产品型号	Dimensions/尺寸	
		A	B
2	401AS-02P	3.96	7.92
3	401AS-03P	7.92	11.82
4	401AS-04P	11.88	15.84
5	401AS-05P	15.84	19.80
6	401AS-06P	19.80	23.76
7	401AS-07P	23.76	27.72
8	401AS-08P	27.72	31.68
9	401AS-09P	31.68	35.64
10	401AS-10P	35.64	39.60
11	401AS-11P	39.60	43.56
12	401AS-12P	43.56	47.52
13	401AS-13P	47.52	51.48
14	401AS-14P	51.48	55.44
15	401AS-15P	55.44	59.40
16	401AS-16P	59.40	63.36

401A SERIES 3.96mm Pitch Wafer (R-Type)

Features/产品特性:

- * Single Row Horizontal DIP Wafer(单排弯针焊板插座)
- * Material(材质):
Insulator(塑胶本体): Nylon 66 UL 94V-0 (White)
Contacts(接触件): Brass, Tin-Plated
- * Mates with 401A series socket(与401A系列塑壳配合)



Poles 位数	Part No. 产品型号	Dimensions/尺寸	
		A	B
2	401AR-02P	3.96	7.92
3	401AR-03P	7.92	11.82
4	401AR-04P	11.88	15.84
5	401AR-05P	15.84	19.80
6	401AR-06P	19.80	23.76
7	401AR-07P	23.76	27.72
8	401AR-08P	27.72	31.68
9	401AR-09P	31.68	35.64
10	401AR-10P	35.64	39.60
11	401AR-11P	39.60	43.56
12	401AR-12P	43.56	47.52
13	401AR-13P	47.52	51.48
14	401AR-14P	51.48	55.44
15	401AR-15P	55.44	59.40
16	401AR-16P	59.40	63.36