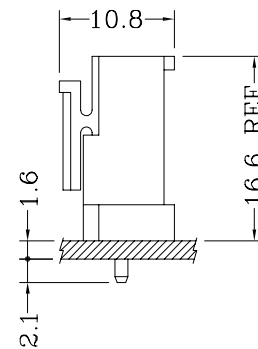


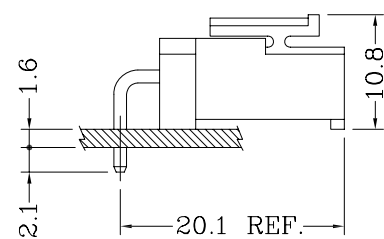
Assembly Layout/装配方案



S-Type/直插型

Specifications/技术参数:

Poles/位数	2~16 Poles
Pitch between poles/间距	3.96mm
Rated Voltage/额定电压	250V AV,DC
Rated Current/额定电流	10A (AWG #16)
Withstand Voltage/耐压值	1500V AC/minute
Contact Resistance/接触电阻	10mΩ (MAX.)
Insulation Resistance/绝缘电阻	1000MΩ (MIN.)
Temperature Range/温度范围	-25°C ~ +85°C
Applicable PCB Thickness/适用板厚	1.6mm
Applicable PCB Hole dia./适用孔径	∅1.75±0.05mm
Applicable Wire Range/适用线径	AWG #14~#22

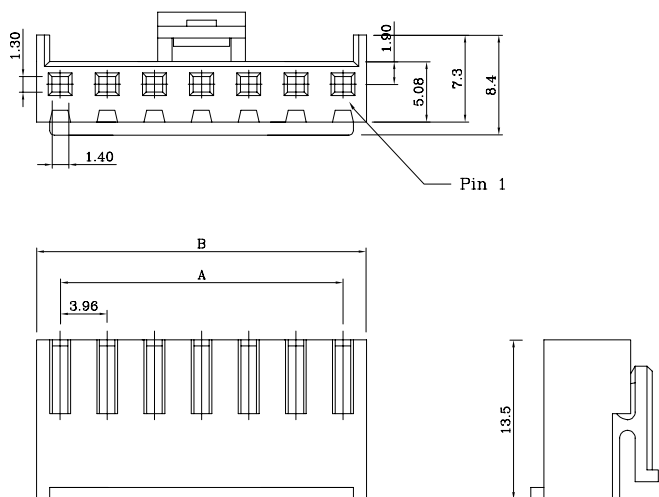


R-Type/弯插型

## 1121 SERIES 3.96mm Pitch Crimp Terminal Socket

Features/产品特性:

- \* Single Row Terminal Socket(单排端子塑壳)
- \* Material(材质): Nylon 66 UL 94V-0 (White)
- \* Suitable for 1121 series terminal(适用于1121系列端子)

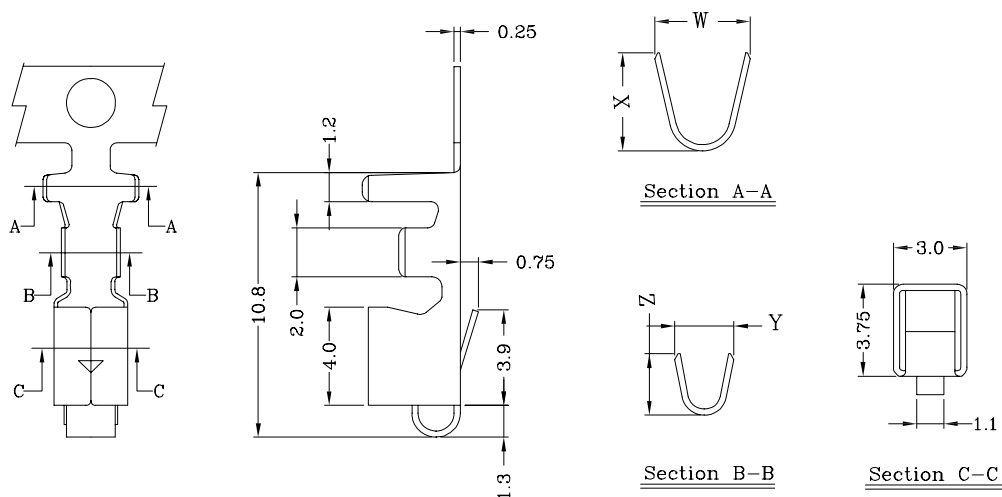


Poles 位数	Part No. 产品型号	Dimensions/尺寸	
		A	B
2	1121H-02P	3.96	7.86
3	1121H-03P	7.92	11.82
4	1121H-04P	11.88	15.78
5	1121H-05P	15.84	19.74
6	1121H-06P	19.80	23.70
7	1121H-07P	23.76	27.66
8	1121H-08P	27.72	31.62
9	1121H-09P	31.68	35.58
10	1121H-10P	35.64	39.54
11	1121H-11P	39.60	43.50
12	1121H-12P	43.56	47.46
13	1121H-13P	47.52	51.42
14	1121H-14P	51.48	55.38
15	1121H-15P	55.44	59.34
16	1121H-16P	59.40	63.30

## 1121 SERIES 3.96mm Pitch Crimp Terminal

Features/产品特性:

- \* Used in 1121 series socket(用于1121系列塑壳)

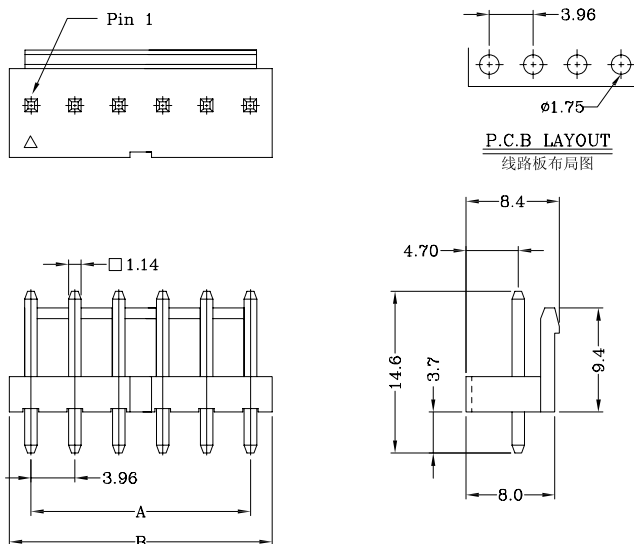


Part No./产品型号	W	X	Y	Z	Wire Range/线径范围	Insulation O.D/线外径	Material/材质	Finish/表面处理
1121T-2.8	3.9	4.0	2.4	2.5	AWG #18 ~ #22	2.80mm(max)	Brass	Tin-plated
1121T-P-2.8	3.9	4.0	2.4	2.5	AWG #18 ~ #22	2.80mm(max)	Phosphor bronze	Tin-plated
1121T-3.7	4.0	5.0	2.75	3.3	AWG #14 ~ #18	3.70mm(max)	Brass	Tin-plated
1121T-P-3.7	4.0	5.0	2.75	3.3	AWG #14 ~ #18	3.70mm(max)	Phosphor bronze	Tin-plated

## 1121 SERIES 3.96mm Pitch Wafer (S-Type)

Features/产品特性:

- \* Single Row Vertical DIP Wafer(单排直针焊板插座)
- \* Material(材质):  
Insulator(塑胶本体): Nylon 66 UL 94V-0 (White)  
Contacts(接触件): Brass, Tin-Plated
- \* Mates with 1121 series socket(与1121系列塑壳配合)

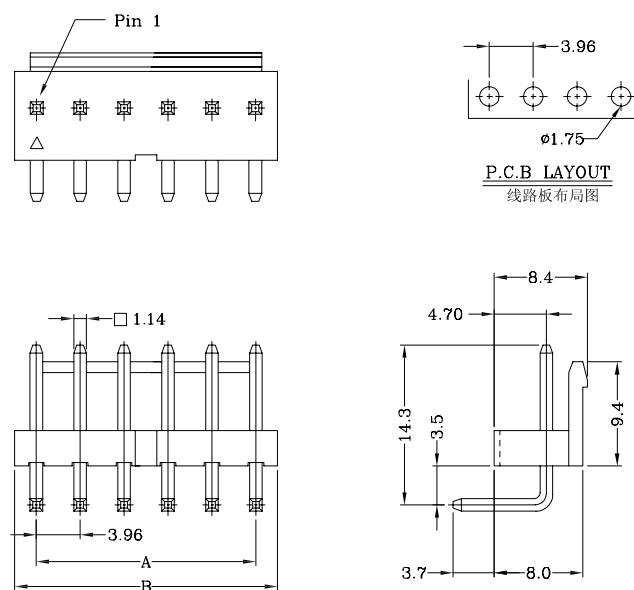


Poles 位数	Part No. 产品型号	Dimensions/尺寸	
		A	B
2	1121S-02P	3.96	7.92
3	1121S-03P	7.92	11.82
4	1121S-04P	11.88	15.84
5	1121S-05P	15.84	19.80
6	1121S-06P	19.80	23.76
7	1121S-07P	23.76	27.72
8	1121S-08P	27.72	31.68
9	1121S-09P	31.68	35.64
10	1121S-10P	35.64	39.60
11	1121S-11P	39.60	43.56
12	1121S-12P	43.56	47.52
13	1121S-13P	47.52	51.48
14	1121S-14P	51.48	55.44
15	1121S-15P	55.44	59.40
16	1121S-16P	59.40	63.36

## 1121 SERIES 3.96mm Pitch Wafer (R-Type)

Features/产品特性:

- \* Single Row Horizontal DIP Wafer(单排弯针焊板插座)
- \* Material(材质):  
Insulator(塑胶本体): Nylon 66 UL 94V-0 (White)  
Contacts(接触件): Brass, Tin-Plated
- \* Mates with 1121 series socket(与1121系列塑壳配合)



Poles 位数	Part No. 产品型号	Dimensions/尺寸	
		A	B
2	1121R-02P	3.96	7.92
3	1121R-03P	7.92	11.82
4	1121R-04P	11.88	15.84
5	1121R-05P	15.84	19.80
6	1121R-06P	19.80	23.76
7	1121R-07P	23.76	27.72
8	1121R-08P	27.72	31.68
9	1121R-09P	31.68	35.64
10	1121R-10P	35.64	39.60
11	1121R-11P	39.60	43.56
12	1121R-12P	43.56	47.52
13	1121R-13P	47.52	51.48
14	1121R-14P	51.48	55.44
15	1121R-15P	55.44	59.40
16	1121R-16P	59.40	63.36