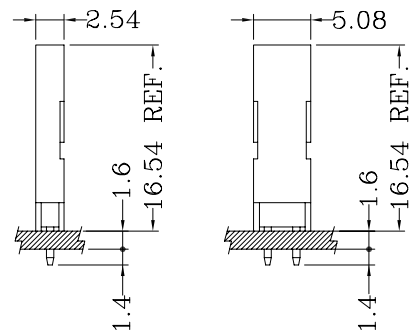
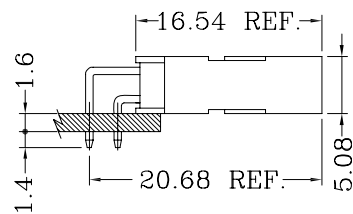
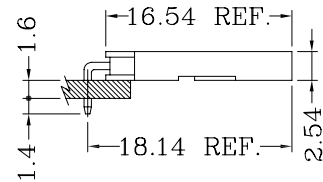


Assembly Layout/装配方案



S-Type/直插型



R-Type/弯插型

Specifications/技术参数:

Poles/位数	2~80 Poles
Pitch between poles/间距	2.54mm
Rated Voltage/额定电压	250V AV,DC
Rated Current/额定电流	2.5A (AWG #22)
Withstand Voltage/耐压值	800V AC/minute
Contact Resistance/接触电阻	20mΩ (MAX.)
Insulation Resistance/绝缘电阻	1000MΩ (MIN.)
Temperature Range/温度范围	-25°C ~ +85°C
Applicable PCB Thickness/适用板厚	1.6mm
Applicable PCB Hole dia./适用孔径	∅1.20±0.05mm
Applicable Wire Range/适用线径	AWG #22~#28

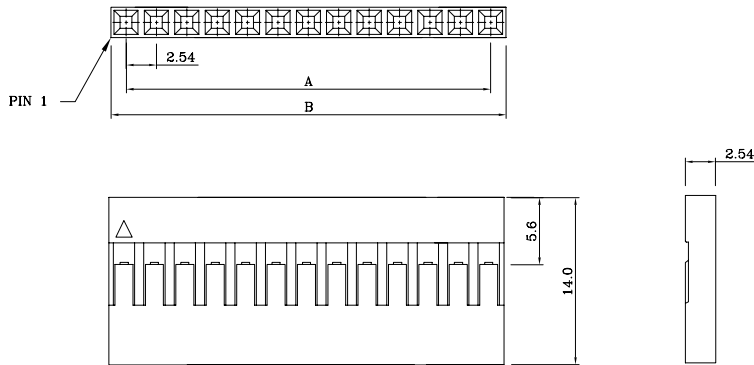


1303 SERIES 2.54mm Pitch Single Row Crimp Terminal Socket

Features/产品特性:

- * Single Row Terminal Socket(单排端子塑壳)
- * Material(材质): PPO UL 94V-1 (Black)
- * Suitable for 1303 series terminal(适用于1303系列端子)

Poles 位数	Part No. 产品型号	Dimensions/尺寸	
		A	B
2	1303H-1*02P	2.54	5.08
3	1303H-1*03P	5.08	7.62
4	1303H-1*04P	7.62	10.16
5	1303H-1*05P	10.16	12.7
6	1303H-1*06P	12.7	15.24
7	1303H-1*07P	15.24	17.78
8	1303H-1*08P	17.78	20.32
9	1303H-1*09P	20.32	22.86
10	1303H-1*10P	22.86	25.40
11	1303H-1*11P	25.40	27.94
12	1303H-1*12P	27.94	30.48
13	1303H-1*13P	30.48	33.02
14	1303H-1*14P	33.02	35.56
15	1303H-1*15P	35.56	38.10
16	1303H-1*16P	38.10	40.64
17	1303H-1*17P	40.64	43.18
18	1303H-1*18P	43.18	45.72
19	1303H-1*19P	45.72	48.26
20	1303H-1*20P	48.26	50.80
21	1303H-1*21P	50.80	53.34
22	1303H-1*22P	53.34	55.88
23	1303H-1*23P	55.88	58.42
24	1303H-1*24P	58.42	60.96
25	1303H-1*25P	60.96	63.50

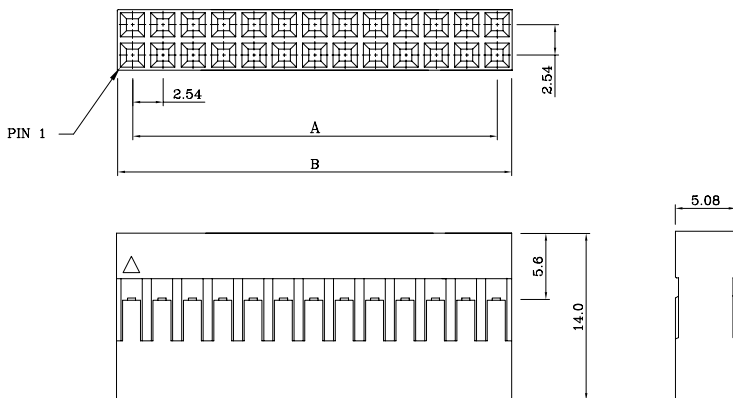


1303 SERIES 2.54mm Pitch Dual Row Crimp Terminal Socket

Features/产品特性:

- * Dual Row Terminal Socket(双排端子塑壳)
- * Material(材质): PPO UL 94V-1 (Black)
- * Suitable for 1303 series terminal(适用于1303系列端子)

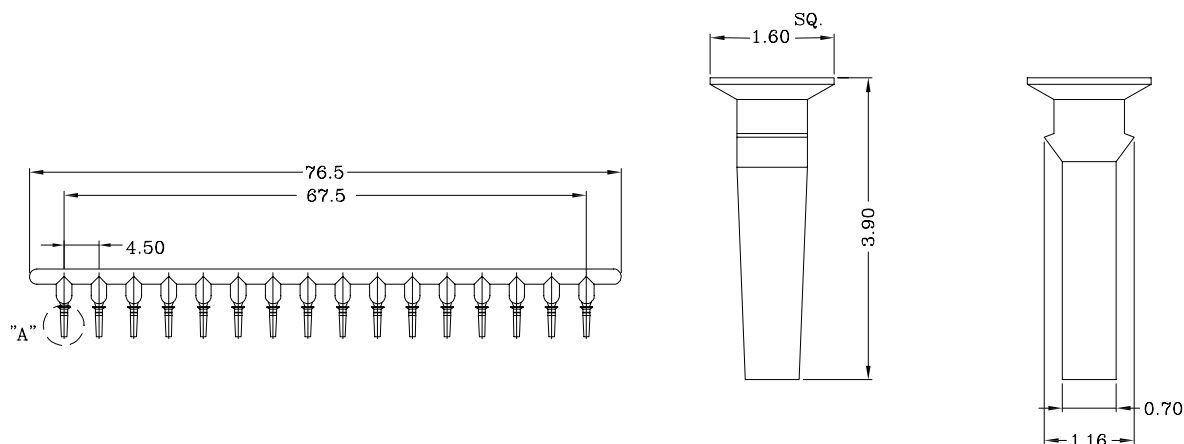
Poles 位数	Part No. 产品型号	Dimensions/尺寸	
		A	B
4	1303H-2*02P	2.54	5.08
6	1303H-2*03P	5.08	7.62
8	1303H-2*04P	7.62	10.16
10	1303H-2*05P	10.16	12.7
12	1303H-2*06P	12.7	15.24
14	1303H-2*07P	15.24	17.78
16	1303H-2*08P	17.78	20.32
18	1303H-2*09P	20.32	22.86
20	1303H-2*10P	22.86	25.40
22	1303H-2*11P	25.40	27.94
24	1303H-2*12P	27.94	30.48
26	1303H-2*13P	30.48	33.02
28	1303H-2*14P	33.02	35.56
30	1303H-2*15P	35.56	38.10
32	1303H-2*16P	38.10	40.64
34	1303H-2*17P	40.64	43.18
36	1303H-2*18P	43.18	45.72
38	1303H-2*19P	45.72	48.26
40	1303H-2*20P	48.26	50.80
42	1303H-2*21P	50.80	53.34
44	1303H-2*22P	53.34	55.88
46	1303H-2*23P	55.88	58.42
48	1303H-2*24P	58.42	60.96
50	1303H-2*25P	60.96	63.50



1303 SERIES 2.54mm Pitch Polarizing Key

Features/产品特性:

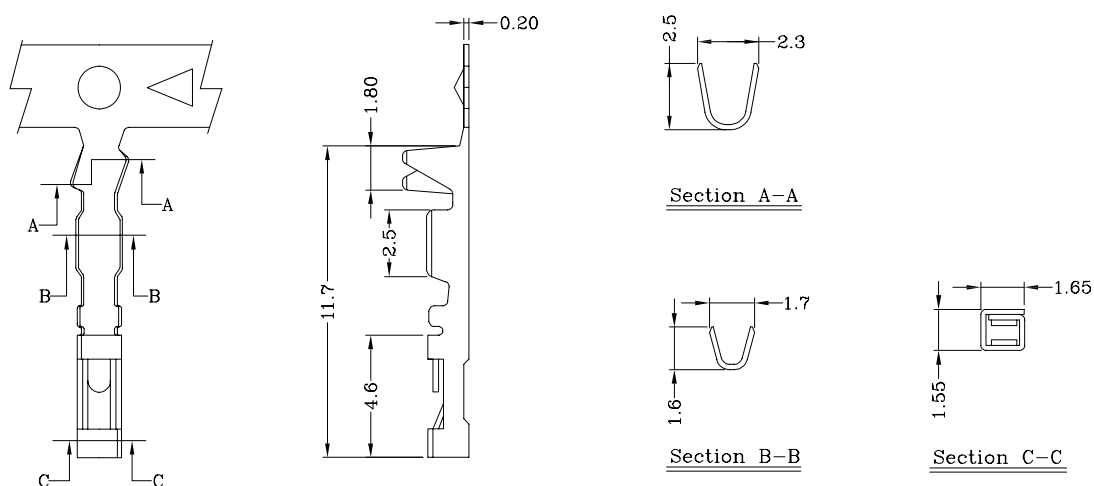
- * Material(材质): PBT UL 94V-0 +30%GF or PA66 UL 91V-0 +15%GF (Black)
- * Used in 1303 & 1303H/C series socket(用于1303和1303H/C系列塑壳)
- * Part No.(产品型号): 1303K-1 (White), 1303K-3 (Black)



1303 SERIES 2.54mm Pitch Crimp Terminal

Features/产品特性:

- * Used in 1303 series socket(用于1303系列塑壳)



Part No./产品型号	Wire Range/线径范围	Insulation O.D/线外径	Material/材质	Finish/表面处理
1303T	AWG #22 ~ #28	1.70mm(max)	Brass	Tin-plated
1303T-P	AWG #22 ~ #28	1.70mm(max)	Phosphor bronze	Tin-plated
1303T-G	AWG #22 ~ #28	1.70mm(max)	Brass	Gold-plated
1303T-PG	AWG #22 ~ #28	1.70mm(max)	Phosphor bronze	Gold-plated