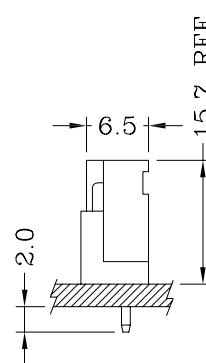


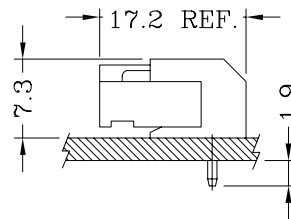
Assembly Layout/装配方案



S-Type/直插型

Specifications/技术参数:

Poles/位数	2~14 Poles
Pitch between poles/间距	2.50mm
Rated Voltage/额定电压	250V AV,DC
Rated Current/额定电流	3A (AWG #22)
Withstand Voltage/耐压值	800V AC/minute
Contact Resistance/接触电阻	10mΩ (MAX.)
Insulation Resistance/绝缘电阻	1000MΩ (MIN.)
Temperature Range/温度范围	-25°C ~ +85°C
Applicable PCB Thickness/适用板厚	1.6mm
Applicable PCB Hole dia./适用孔径	∅1.10±0.05mm
Applicable Wire Range/适用线径	AWG #22~#28

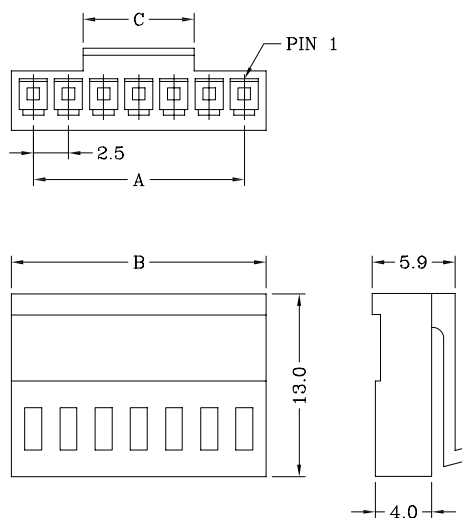


R-Type/弯插型

## 2506 SERIES 2.50mm Pitch Crimp Terminal Socket

Features/产品特性:

- \* Single Row Terminal Socket(单排端子塑壳)
- \* Material(材质): PBT UL 94V-0 (Fresh)
- \* Suitable for 2506 series terminal(适用于2506系列端子)

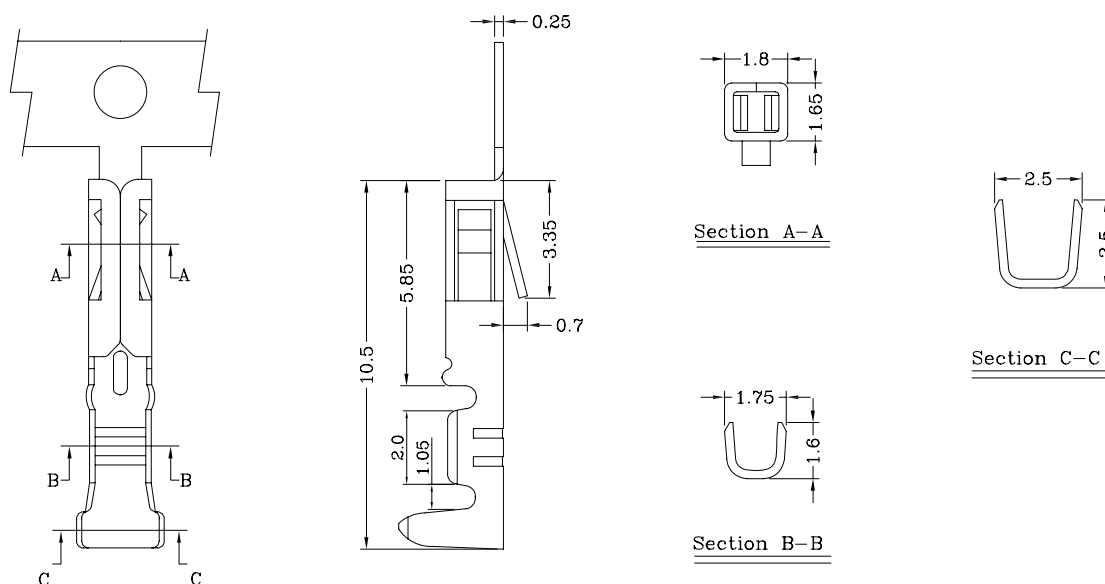


Poles 位数	Part No. 产品型号	Dimensions/尺寸		
		A	B	C
2	2506H-02P	2.5	5.5	2.0
3	2506H-03P	5.0	8.0	2.5
4	2506H-04P	7.5	10.5	5.0
5	2506H-05P	10.0	13.0	5.0
6	2506H-06P	12.5	15.5	6.0
7	2506H-07P	15.0	18.0	8.0
8	2506H-08P	17.5	20.5	10.0
9	2506H-09P	20.0	23.0	10.0
10	2506H-10P	22.5	25.5	10.0
11	2506H-11P	25.0	28.0	11.0
12	2506H-12P	27.5	30.5	11.0
13	2506H-13P	30.0	33.0	13.0
14	2506H-14P	32.5	35.5	13.0

## 2506 SERIES 2.50mm Pitch Crimp Terminal

Features/产品特性:

- \* Used in 2506 series socket(用于2506系列塑壳)

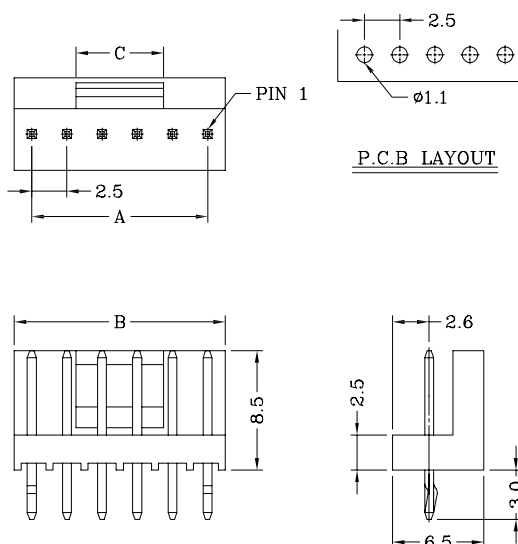


Part No./产品型号	Wire Range/线径范围	Insulation O.D/线外径	Material/材质	Finish/表面处理
2506T-P	AWG #22 ~ #28	1.70mm(max)	Phosphor bronze	Tin-plated

## 2506 SERIES 2.50mm Pitch Wafer (S-Type)

Features/产品特性:

- \* Single Row Vertical DIP Wafer(单排直针焊板插座)
- \* Material(材质):  
Insulator(塑胶本体): PBT UL 94V-0 +30%GF (Flesh)  
Contacts(接触件): Brass,Tin-Plated
- \* Mates with 2506 series socket(与2506系列塑壳配合)

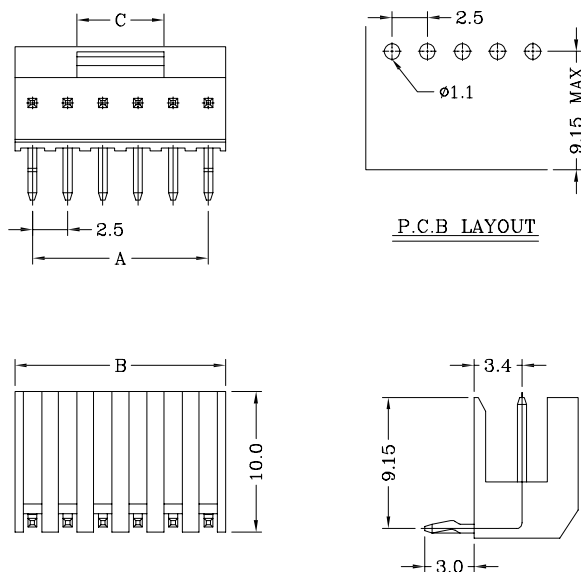


Poles 位数	Part No. 产品型号	Dimensions/尺寸		
		A	B	C
2	2506S-02P	2.5	5.5	2.2
3	2506S-03P	5.0	8.0	2.7
4	2506S-04P	7.5	10.5	5.2
5	2506S-05P	10.0	13.0	5.2
6	2506S-06P	12.5	15.5	6.2
7	2506S-07P	15.0	18.0	8.2
8	2506S-08P	17.5	20.5	10.2
9	2506S-09P	20.0	23.0	10.2
10	2506S-10P	22.5	25.5	10.2
11	2506S-11P	25.0	28.0	11.2
12	2506S-12P	27.5	30.5	11.2
13	2506S-13P	30.0	33.0	13.2
14	2506S-14P	32.5	35.5	13.2

## 2506 SERIES 2.50mm Pitch Wafer (R-Type)

Features/产品特性:

- \* Single Row Horizontal DIP Wafer(单排弯针焊板插座)
- \* Material(材质):  
Insulator(塑胶本体): PBT UL 94V-0 +30%GF (Flesh)  
Contacts(接触件): Brass,Tin-Plated
- \* Mates with 2506 series socket(与2506系列塑壳配合)



Poles 位数	Part No. 产品型号	Dimensions/尺寸		
		A	B	C
2	2506R-02P	2.5	5.5	2.2
3	2506R-03P	5.0	8.0	2.7
4	2506R-04P	7.5	10.5	5.2
5	2506R-05P	10.0	13.0	5.2
6	2506R-06P	12.5	15.5	6.2
7	2506R-07P	15.0	18.0	8.2
8	2506R-08P	17.5	20.5	10.2
9	2506R-09P	20.0	23.0	10.2
10	2506R-10P	22.5	25.5	10.2
11	2506R-11P	25.0	28.0	11.2
12	2506R-12P	27.5	30.5	11.2
13	2506R-13P	30.0	33.0	13.2
14	2506R-14P	32.5	35.5	13.2