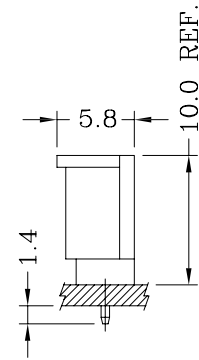


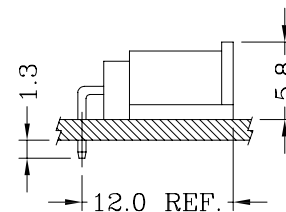
Assembly Layout/装配方案



S-Type/直插型

Specifications/技术参数:

Poles/位数	2~20 Poles
Pitch between poles/间距	2.50mm
Rated Voltage/额定电压	250V AV,DC
Rated Current/额定电流	2.5A (AWG #22)
Withstand Voltage/耐压值	800V AC/minute
Contact Resistance/接触电阻	20mΩ (MAX.)
Insulation Resistance/绝缘电阻	1000MΩ (MIN.)
Temperature Range/温度范围	-25°C ~ +85°C
Applicable PCB Thickness/适用板厚	1.6mm
Applicable PCB Hole dia./适用孔径	∅1.20±0.05mm
Applicable Wire Range/适用线径	AWG #22~#28

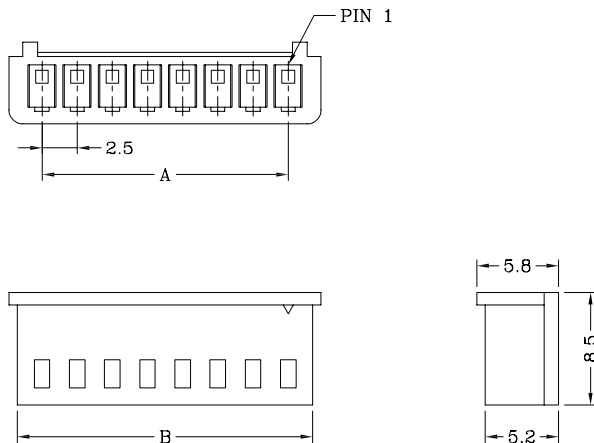


R-Type/弯插型

1128 SERIES 2.50mm Pitch Crimp Terminal Socket

Features/产品特性:

- * Single Row Terminal Socket(单排端子塑壳)
- * Material(材质): Nylon 66 UL 94V-0
- * Suitable for 1128 series terminal(适用于1128系列端子)

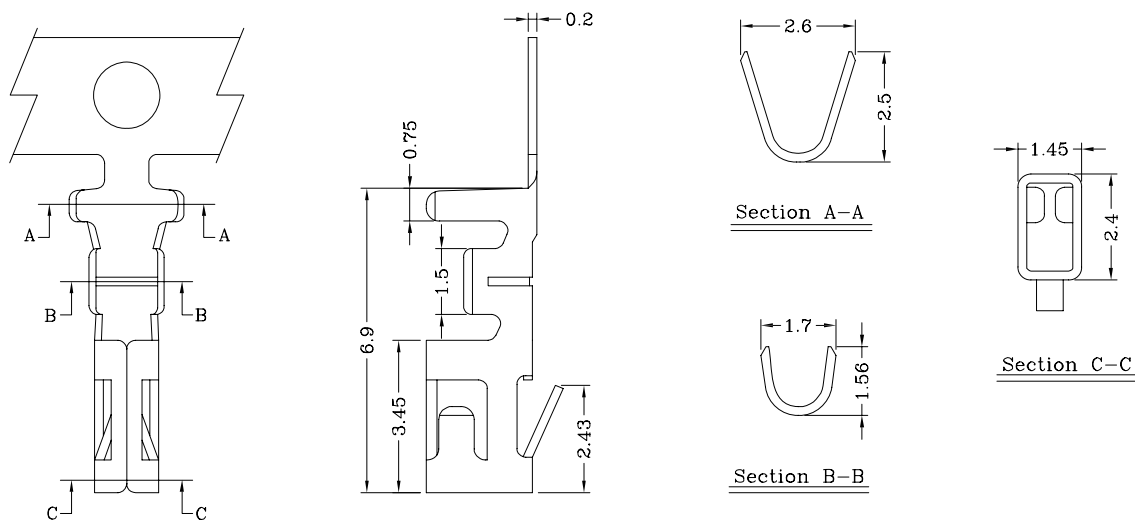


Poles 位数	Part No. 产品型号	Dimensions/尺寸	
		A	B
2	1128H-02P	2.5	6.0
3	1128H-03P	5.0	8.5
4	1128H-04P	7.5	11.0
5	1128H-05P	10.0	13.5
6	1128H-06P	12.5	16.0
7	1128H-07P	15.0	18.5
8	1128H-08P	17.5	21.0
9	1128H-09P	20.0	23.5
10	1128H-10P	22.5	26.0
11	1128H-11P	25.0	28.5
12	1128H-12P	27.5	31.0
13	1128H-13P	30.0	33.5
14	1128H-14P	32.5	36.0
15	1128H-15P	35.0	38.5
16	1128H-16P	37.5	41.0
17	1128H-17P	40.0	43.5
18	1128H-18P	42.5	46.0
19	1128H-19P	45.0	48.5
20	1128H-20P	47.5	51.0

1128 SERIES 2.50mm Pitch Crimp Terminal

Features/产品特性:

- * Used in 1128 series socket(用于1128系列塑壳)

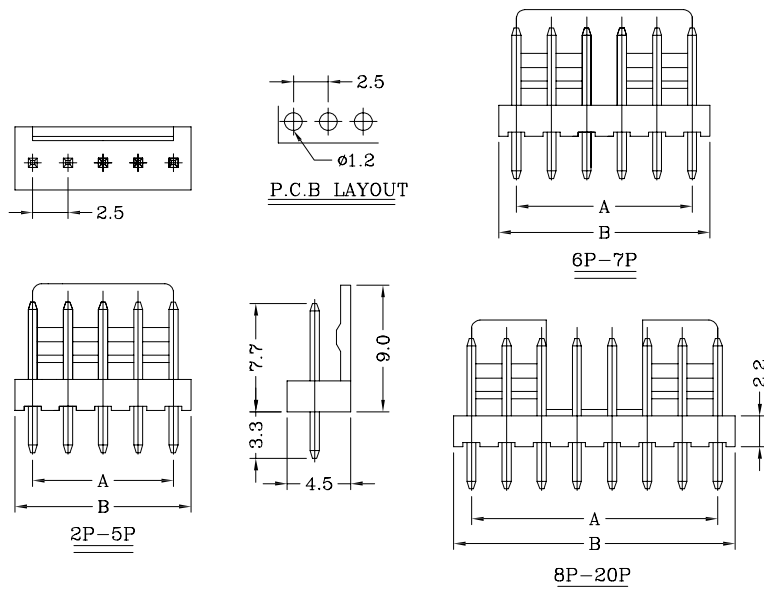


Part No./产品型号	Wire Range/线径范围	Insulation O.D/线外径	Material/材质	Finish/表面处理
1128T	AWG #22 ~ #28	1.75mm(max)	Brass	Tin-plated
1128T-P	AWG #22 ~ #28	1.75mm(max)	Phosphor bronze	Tin-plated

1128 SERIES 2.50mm Pitch Wafer (S-Type)

Features/产品特性:

- * Single Row Vertical DIP Wafer(单排直针焊板插座)
- * Material(材质):
Insulator(塑胶本体): Nylon 66 UL 94V-0
Contacts(接触件): Brass, Tin-Plated
- * Mates with 1128 series socket(与1128系列塑壳配合)

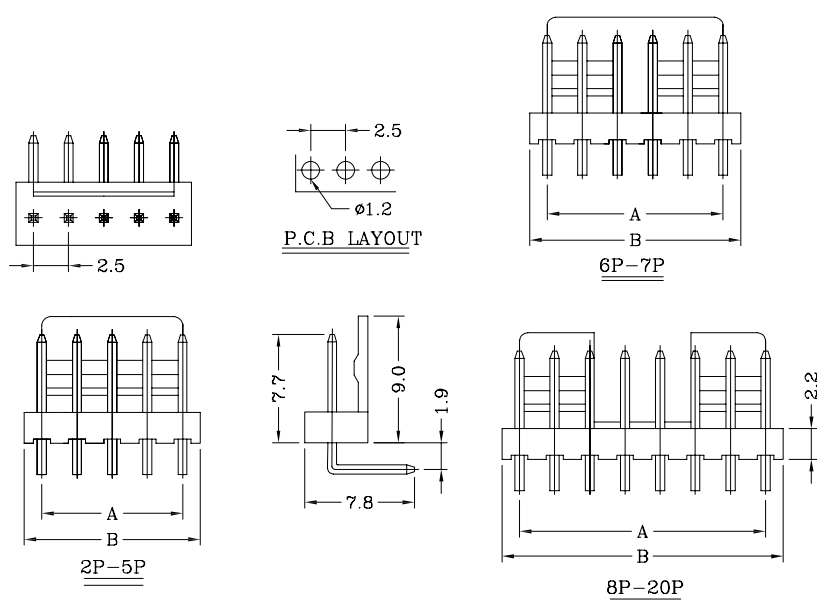


Poles 位数	Part No. 产品型号	Dimensions/尺寸	
		A	B
2	1128S-02P	2.5	5.0
3	1128S-03P	5.0	7.5
4	1128S-04P	7.5	10.0
5	1128S-05P	10.0	12.5
6	1128S-06P	12.5	15.0
7	1128S-07P	15.0	17.5
8	1128S-08P	17.5	20.0
9	1128S-09P	20.0	22.5
10	1128S-10P	22.5	25.0
11	1128S-11P	25.0	27.5
12	1128S-12P	27.5	30.0
13	1128S-13P	30.0	32.5
14	1128S-14P	32.5	35.0
15	1128S-15P	35.0	37.5
16	1128S-16P	37.5	40.0
17	1128S-17P	40.0	42.5
18	1128S-18P	42.5	45.0
19	1128S-19P	45.0	47.5
20	1128S-20P	47.5	50.0

1128 SERIES 2.50mm Pitch Wafer (R-Type)

Features/产品特性:

- * Single Row Horizontal DIP Wafer(单排弯针焊板插座)
- * Material(材质):
Insulator(塑胶本体): Nylon 66 UL 94V-0
Contacts(接触件): Brass, Tin-Plated
- * Mates with 1128 series socket(与1128系列塑壳配合)



Poles 位数	Part No. 产品型号	Dimensions/尺寸	
		A	B
2	1128R-02P	2.5	5.0
3	1128R-03P	5.0	7.5
4	1128R-04P	7.5	10.0
5	1128R-05P	10.0	12.5
6	1128R-06P	12.5	15.0
7	1128R-07P	15.0	17.5
8	1128R-08P	17.5	20.0
9	1128R-09P	20.0	22.5
10	1128R-10P	22.5	25.0
11	1128R-11P	25.0	27.5
12	1128R-12P	27.5	30.0
13	1128R-13P	30.0	32.5
14	1128R-14P	32.5	35.0
15	1128R-15P	35.0	37.5
16	1128R-16P	37.5	40.0
17	1128R-17P	40.0	42.5
18	1128R-18P	42.5	45.0
19	1128R-19P	45.0	47.5
20	1128R-20P	47.5	50.0