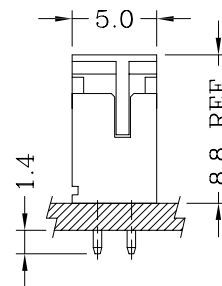


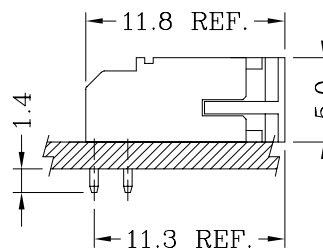
Assembly Layout/装配方案



S-Type/直插型

Specifications/技术参数:

Pitch between poles/间距	2.00mm
Rated Voltage/额定电压	250V AV,DC
Rated Current/额定电流	2A (AWG #24)
Withstand Voltage/耐压值	800V AC/minute
Contact Resistance/接触电阻	10mΩ (MAX.)
Insulation Resistance/绝缘电阻	1000MΩ (MIN.)
Temperature Range/温度范围	-25°C ~ +85°C
Applicable PCB Thickness/适用板厚	1.6mm
Applicable PCB Hole dia./适用孔径	∅0.80±0.05mm
Applicable Wire Range/适用线径	AWG #24~#28

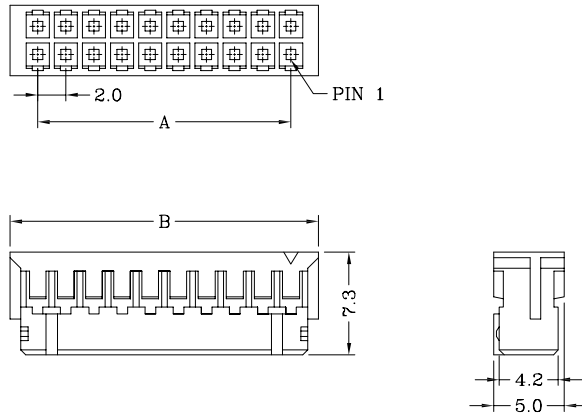


R-Type/弯插型

2005 SERIES 2.00mm Pitch Crimp Terminal Socket

Features/产品特性:

- * Dual Row Terminal Socket(双排端子塑壳)
- * Material(材质): Nylon 66 UL 94V-0 (White)
- * Suitable for 2005 series terminal(适用于2005系列端子)

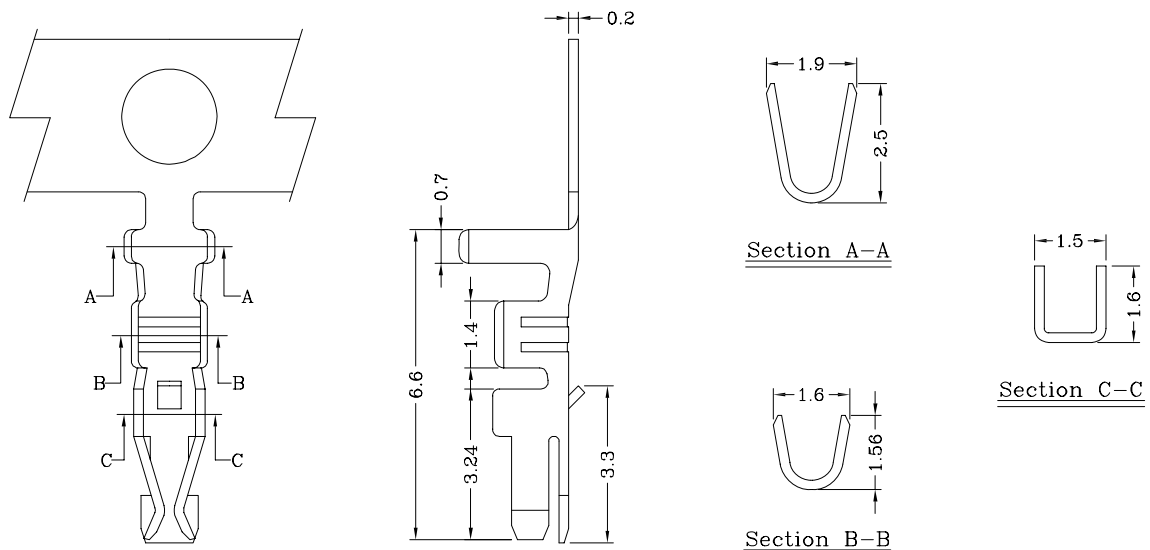


Poles 位数	Part No. 产品型号	Dimensions/尺寸	
		A	B
6	2005H-2*03P	4.0	7.9
8	2005H-2*04P	6.0	9.9
10	2005H-2*05P	8.0	11.9
12	2005H-2*06P	10.0	13.9
14	2005H-2*07P	12.0	15.9
16	2005H-2*08P	14.0	17.9
18	2005H-2*09P	16.0	19.9
20	2005H-2*10P	18.0	21.9
22	2005H-2*11P	20.0	23.9
24	2005H-2*12P	22.0	25.9
26	2005H-2*13P	24.0	27.9
28	2005H-2*14P	26.0	29.9
30	2005H-2*15P	28.0	31.9
32	2005H-2*16P	30.0	33.9
34	2005H-2*17P	32.0	35.9
36	2005H-2*18P	34.0	37.9
38	2005H-2*19P	36.0	39.9
40	2005H-2*20P	38.0	41.9

2005 SERIES 2.00mm Pitch Crimp Terminal

Features/产品特性:

- * Used in 2005 series socket(用于2005系列塑壳)



Part No./产品型号	Wire Range/线径范围	Insulation O.D/线外径	Material/材质	Finish/表面处理
2005T-P	AWG #24 ~ #28	1.60mm(max)	Phosphor bronze	Tin-plated

2005 SERIES 2.00mm Pitch Wafer (S- Type)

Features/产品特性:

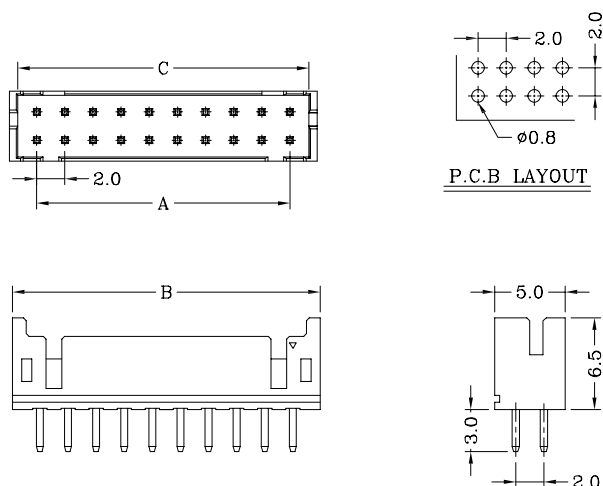
* Dual Row Vertical DIP Wafer(双排直针焊板插座)

* Material(材质):

Insulator(塑胶本体): PBT UL 94V-0 +15%GF(White) or
Nylon 66 UL 94V-0 +15%GF(Natural)

Contacts(接触件): Brass, Tin-Plated

* Mates with 2005 series socket(与2005系列塑壳配合)



Poles 位数	Part No. 产品型号	Dimensions/尺寸		
		A	B	C
6	2005S-2*03P	4.0	7.9	6.7
8	2005S-2*04P	6.0	9.9	8.7
10	2005S-2*05P	8.0	11.9	10.7
12	2005S-2*06P	10.0	13.9	12.7
14	2005S-2*07P	12.0	15.9	14.7
16	2005S-2*08P	14.0	17.9	16.7
18	2005S-2*09P	16.0	19.9	18.7
20	2005S-2*10P	18.0	21.9	20.7
22	2005S-2*11P	20.0	23.9	22.7
24	2005S-2*12P	22.0	25.9	24.7
26	2005S-2*13P	24.0	27.9	26.7
28	2005S-2*14P	26.0	29.9	28.7
30	2005S-2*15P	28.0	31.9	30.7
32	2005S-2*16P	30.0	33.9	32.7
34	2005S-2*17P	32.0	35.9	34.7
36	2005S-2*18P	34.0	37.9	36.7
38	2005S-2*19P	36.0	39.9	38.7
40	2005S-2*20P	38.0	41.9	40.7

2005 SERIES 2.00mm Pitch Wafer (R- Type)

Features/产品特性:

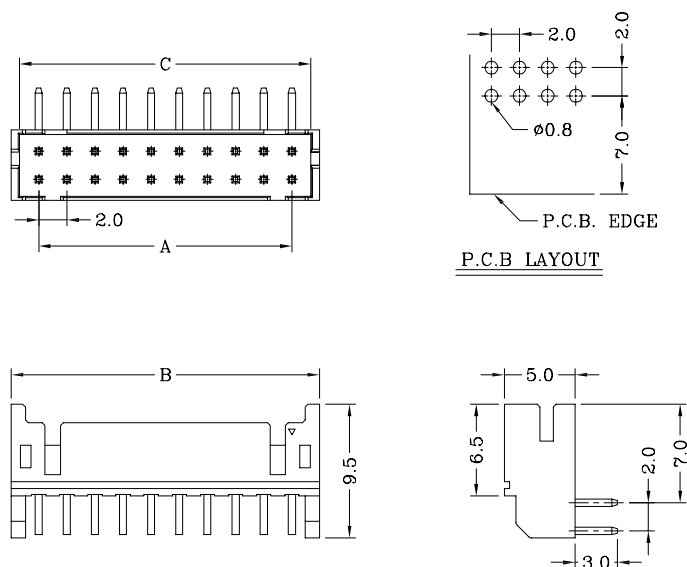
* Dual Row Horizontal DIP Wafer(双排弯针焊板插座)

* Material(材质):

Insulator(塑胶本体): PBT UL 94V-0 +15%GF(White) or
Nylon 66 UL 94V-0 +15%GF(Natural)

Contacts(接触件): Brass, Tin-Plated

* Mates with 2005 series socket(与2005系列塑壳配合)



Poles 位数	Part No. 产品型号	Dimensions/尺寸		
		A	B	C
6	2005R-2*03P	4.0	7.9	6.7
8	2005R-2*04P	6.0	9.9	8.7
10	2005R-2*05P	8.0	11.9	10.7
12	2005R-2*06P	10.0	13.9	12.7
14	2005R-2*07P	12.0	15.9	14.7
16	2005R-2*08P	14.0	17.9	16.7
18	2005R-2*09P	16.0	19.9	18.7
20	2005R-2*10P	18.0	21.9	20.7
22	2005R-2*11P	20.0	23.9	22.7
24	2005R-2*12P	22.0	25.9	24.7
26	2005R-2*13P	24.0	27.9	26.7
28	2005R-2*14P	26.0	29.9	28.7
30	2005R-2*15P	28.0	31.9	30.7
32	2005R-2*16P	30.0	33.9	32.7
34	2005R-2*17P	32.0	35.9	34.7
36	2005R-2*18P	34.0	37.9	36.7
38	2005R-2*19P	36.0	39.9	38.7
40	2005R-2*20P	38.0	41.9	40.7