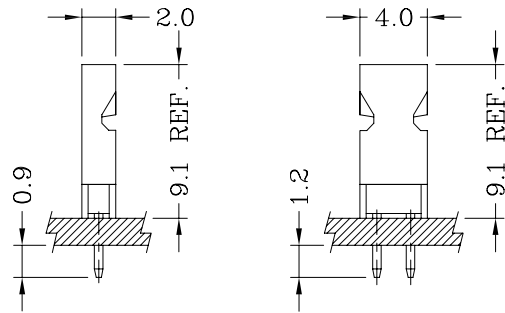
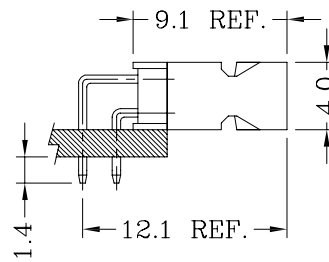
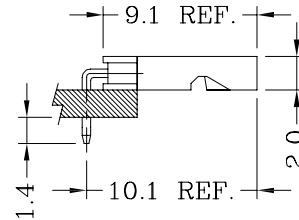


Assembly Layout/装配方案



S-Type/直插型



R-Type/弯插型

Specifications/技术参数:

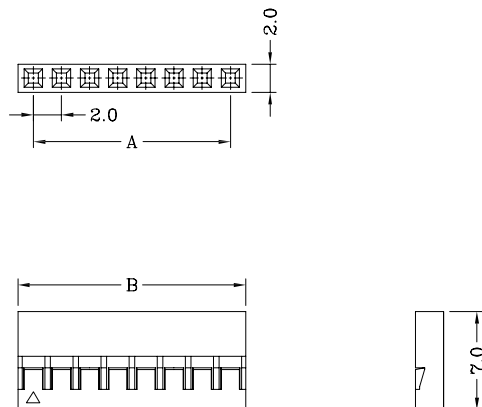
Poles/位数	2~50 Poles
Pitch between poles/间距	2.00mm
Rated Voltage/额定电压	100V AV,DC
Rated Current/额定电流	1A (AWG #26)
Withstand Voltage/耐压值	800V AC/minute
Contact Resistance/接触电阻	20mΩ (MAX.)
Insulation Resistance/绝缘电阻	1000MΩ (MIN.)
Temperature Range/温度范围	-25°C ~ +85°C
Applicable PCB Thickness/适用板厚	0.8~1.6mm
Applicable PCB Hole dia./适用孔径	∅0.80±0.05mm
Applicable Wire Range/适用线径	AWG #26~#30



1126 SERIES 2.00mm Pitch Single Row Crimp Terminal Socket

Features/产品特性:

- * Single Row Terminal Socket(单排端子塑壳)
- * Material(材质): PPO UL 94V-1 (Black)
- * Suitable for 1126 series terminal(适用于1126系列端子)

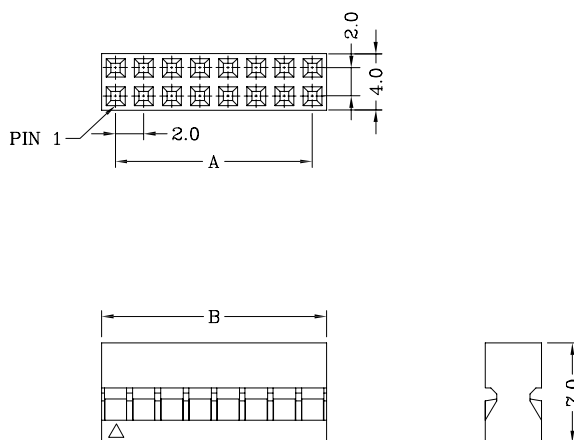


Poles 位数	Part No. 产品型号	Dimensions/尺寸	
		A	B
2	1126H-1*02P	2.0	4.2
3	1126H-1*03P	4.0	6.2
4	1126H-1*04P	6.0	8.2
5	1126H-1*05P	8.0	10.2
6	1126H-1*06P	10.0	12.2
7	1126H-1*07P	12.0	14.2
8	1126H-1*08P	14.0	16.2
9	1126H-1*09P	16.0	18.2
10	1126H-1*10P	18.0	20.2
11	1126H-1*11P	20.0	22.2
12	1126H-1*12P	22.0	24.2
13	1126H-1*13P	24.0	26.2
14	1126H-1*14P	26.0	28.2
15	1126H-1*15P	28.0	30.2
16	1126H-1*16P	30.0	32.2
17	1126H-1*17P	32.0	34.2
18	1126H-1*18P	34.0	36.2
19	1126H-1*19P	36.0	38.2
20	1126H-1*20P	38.0	40.2
21	1126H-1*21P	40.0	42.2
22	1126H-1*22P	42.0	44.2
23	1126H-1*23P	44.0	46.2
24	1126H-1*24P	46.0	48.2
25	1126H-1*25P	48.0	50.2

1126 SERIES 2.00mm Pitch Dual Row Crimp Terminal Socket

Features/产品特性:

- * Dual Row Terminal Socket(双排端子塑壳)
- * Material(材质): PPO UL 94V-1 (Black)
- * Suitable for 1126 series terminal(适用于1126系列端子)

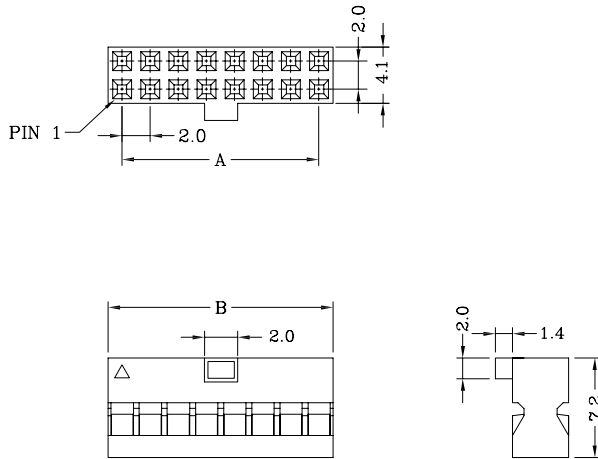


Poles 位数	Part No. 产品型号	Dimensions/尺寸	
		A	B
4	1126H-2*02P	2.0	4.2
6	1126H-2*03P	4.0	6.2
8	1126H-2*04P	6.0	8.2
10	1126H-2*05P	8.0	10.2
12	1126H-2*06P	10.0	12.2
14	1126H-2*07P	12.0	14.2
16	1126H-2*08P	14.0	16.2
18	1126H-2*09P	16.0	18.2
20	1126H-2*10P	18.0	20.2
22	1126H-2*11P	20.0	22.2
24	1126H-2*12P	22.0	24.2
26	1126H-2*13P	24.0	26.2
28	1126H-2*14P	26.0	28.2
30	1126H-2*15P	28.0	30.2
32	1126H-2*16P	30.0	32.2
34	1126H-2*17P	32.0	34.2
36	1126H-2*18P	34.0	36.2
38	1126H-2*19P	36.0	38.2
40	1126H-2*20P	38.0	40.2
42	1126H-2*21P	40.0	42.2
44	1126H-2*22P	42.0	44.2
46	1126H-2*23P	44.0	46.2
48	1126H-2*24P	46.0	48.2
50	1126H-2*25P	48.0	50.2
52	1126H-2*26P	50.0	52.2
54	1126H-2*27P	52.0	54.2

1126-B SERIES 2.00mm Pitch Dual Row Crimp Terminal socket

Features/产品特性:

- * Dual Row Terminal Socket With Polarizing Key(双排端子塑壳带凸点)
- * Material(材质): PPO UL 94V-1 (Black)
- * Suitable for 1126 series terminal(适用于1126系列端子)

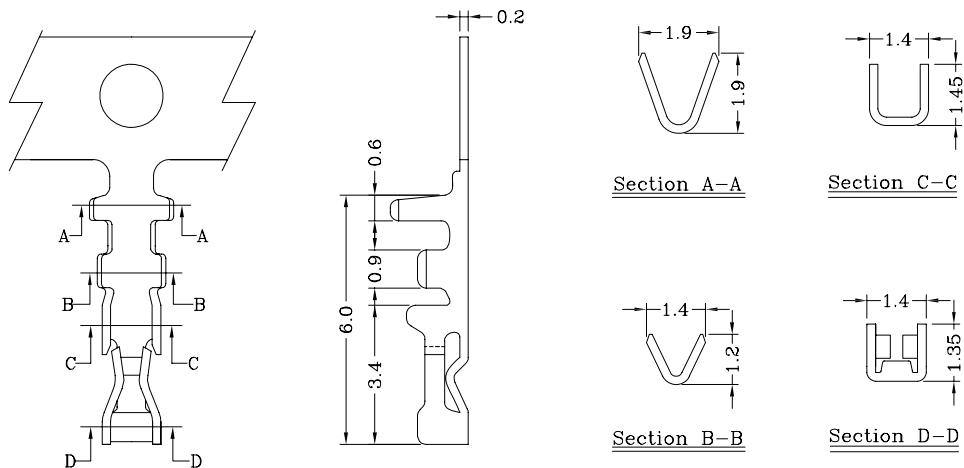


Poles 位数	Part No. 产品型号	Dimensions/尺寸	
		A	B
10	1126H-2*05P-B	8.0	10.2
12	1126H-2*06P-B	10.0	12.2
14	1126H-2*07P-B	12.0	14.2
16	1126H-2*08P-B	14.0	16.2
18	1126H-2*09P-B	16.0	18.2
20	1126H-2*10P-B	18.0	20.2
22	1126H-2*11P-B	20.0	22.2
24	1126H-2*12P-B	22.0	24.2
26	1126H-2*13P-B	24.0	26.2
28	1126H-2*14P-B	26.0	28.2
30	1126H-2*15P-B	28.0	30.2
32	1126H-2*16P-B	30.0	32.2
34	1126H-2*17P-B	32.0	34.2
36	1126H-2*18P-B	34.0	36.2
38	1126H-2*19P-B	36.0	38.2
40	1126H-2*20P-B	38.0	40.2
44	1126H-2*22P-B	42.0	44.2
50	1126H-2*25P-B	48.0	50.2

1126 SERIES 2.00mm Pitch Crimp Terminal

Features/产品特性:

- * Used in 1126 series socket(用于1126系列塑壳)



Part No./产品型号	Wire Range/线径范围	Insulation O.D/线外径	Material/材质	Finish/表面处理
1126T-G	AWG #26 ~ #30	1.35mm(max)	Brass	Gold-plated
1126T-PG	AWG #26 ~ #30	1.35mm(max)	Phosphor bronze	Gold-plated