

56S SERIES Modular Jack Side Entry Dip Type With LED

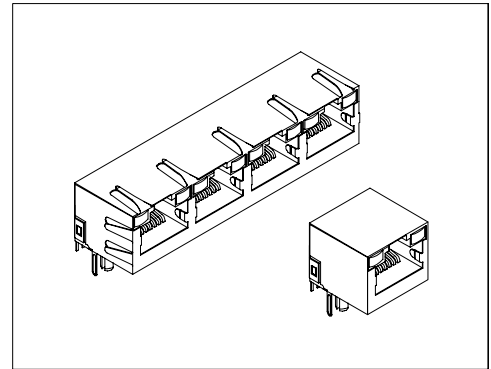
Specifications/技术参数:

Electrical/电气特性:

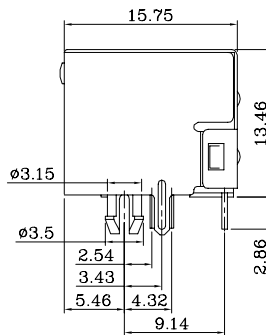
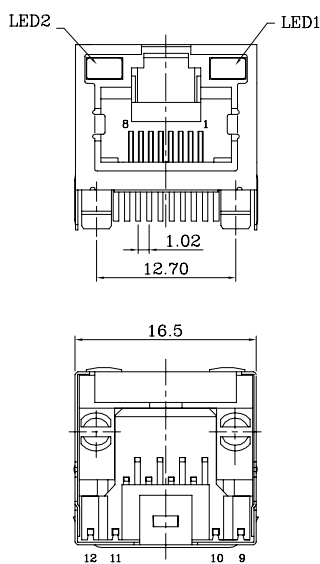
Current Rating (额定电流): 1.5A
 Withstand Voltage (耐压值): 1000VAC for one minute
 Contact Resistance (接触电阻): 35mΩ max
 Insulation Resistance (绝缘电阻): 1000MΩ min
 Operating Temperature (工作温度): -40°C ~ +85°C

Physical/物理特性:

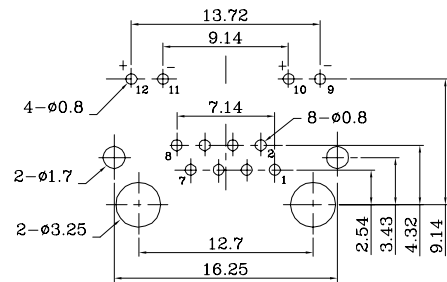
Insulator (塑胶本体): P.B.T
 Flammability Rating (防火等级): UL 94V-0
 Contacts (接触件): Phosphor Bronze
 Contacts plating (接触件电镀): Gold Plating over Nickel



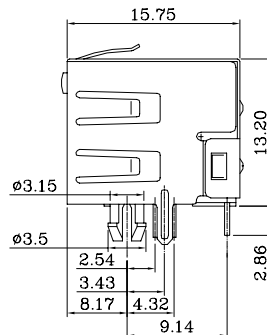
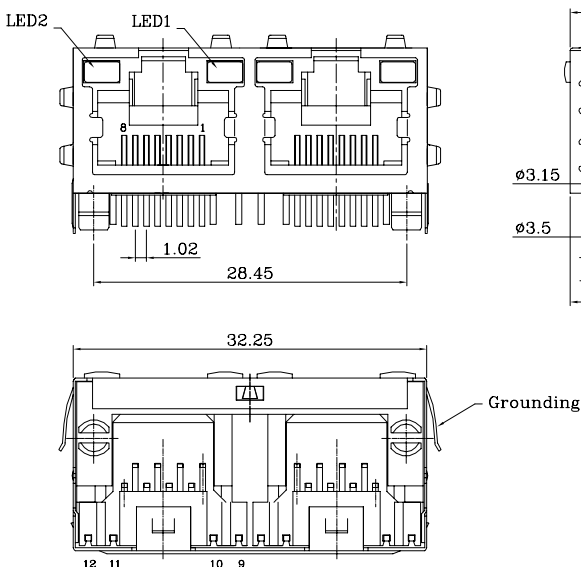
Dimension/尺寸: mm



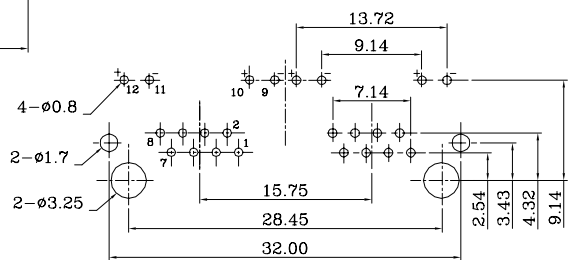
56S-8P/8C-G/Y



PCB Layout
线路板布局图



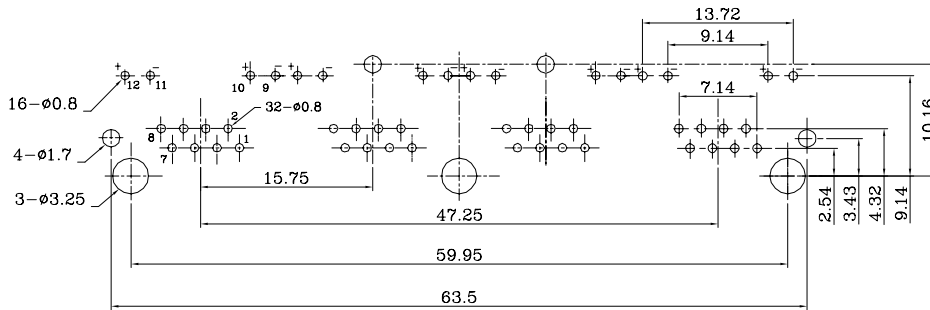
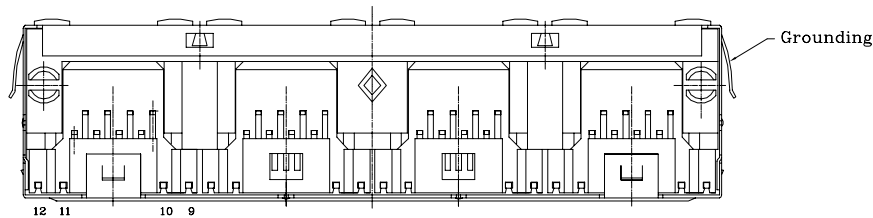
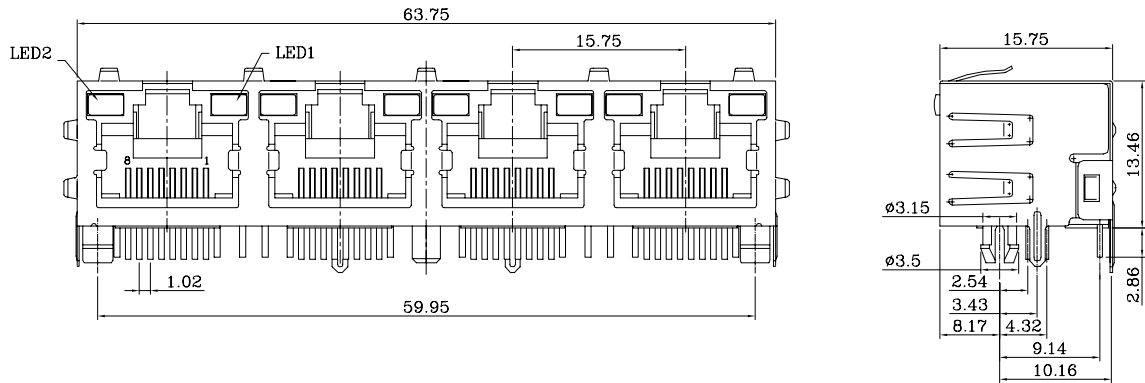
56SG-8P/8C-G/Y-1*02P



PCB Layout
线路板布局图

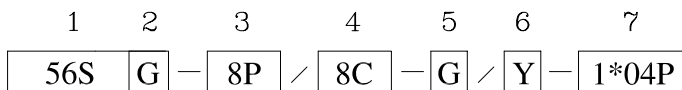
Dimension/尺寸: mm

56SG-8P/8C-G/Y-1*04P



PCB Layout
线路板布局图

Ordering Code/订购型号:



1. Series No./系列号: 56S
2. EMI Options/选项:
G = With Grounding(带接地弹片)
N/A(缺省) = W/O Grounding(无接地弹片)
3. Slot Number/槽数: 8P
4. Contacts Number/芯数: 8C

5. LED1 Color/颜色:
G = Green(绿色)
R = Red(红色)
6. LED2 Color/颜色:
Y = Yellow(黄色)
G = Green(绿色)

7. Port Number/接口数量:
N/A(缺省) = 1 Port(单口)
1*02P = 2 Ports(二口)
1*04P = 4 Ports(四口)