

5622 SERIES Modular Jack Side Entry Dip Type

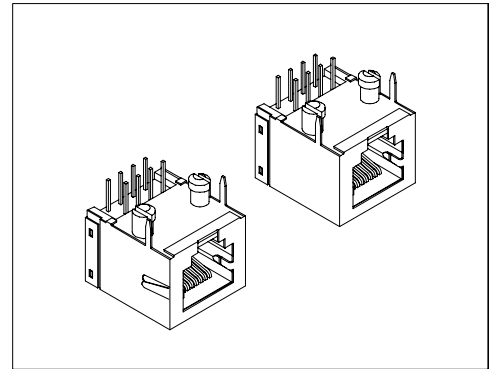
Specifications/技术参数:

Electrical/电气特性:

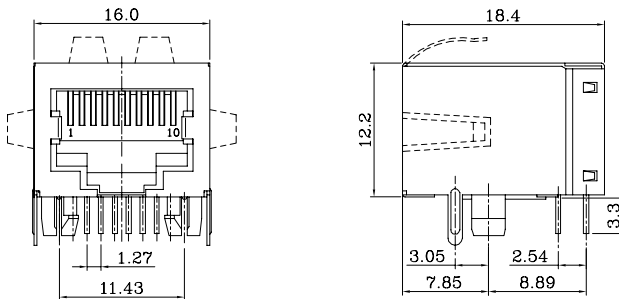
Current Rating(额定电流): 1.5A
 Withstand Voltage(耐压值): 1000VAC for one minute
 Contact Resistance(接触电阻): 35mΩ max
 Insulation Resistance(绝缘电阻): 1000MΩ min
 Operating Temperature(工作温度): -40°C ~ +85°C

Physical/物理特性:

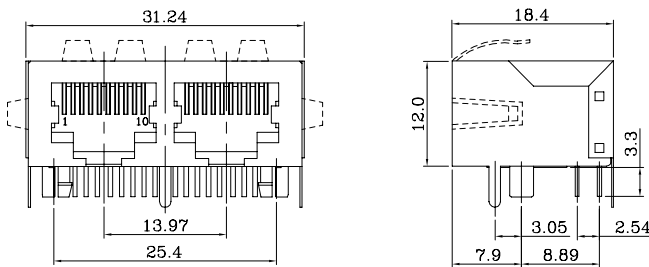
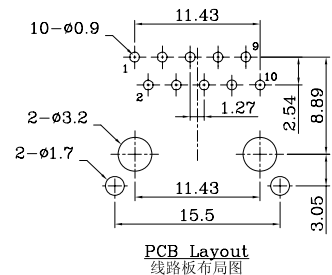
Insulator(塑胶本体): P.B.T
 Flammability Rating(防火等级): UL 94V-0
 Contacts(接触件): Phosphor Bronze
 Contacts plating(接触件电镀): Gold Plating over Nickel



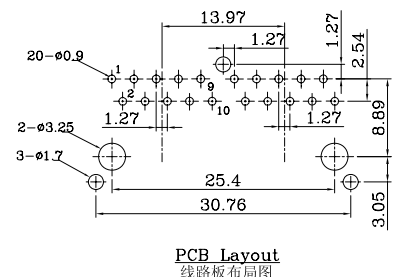
Dimension/尺寸: mm



5622S(G)-10P/10C



5622S(G)-10P/10C-1*2P



Ordering Code/订购型号:

| | | | | | |
|------|---|---|-----|---|-----------|
| 1 | 2 | 3 | 4 | 5 | 6 |
| 5622 | S | G | 10P | / | 10C-1*02P |

1. Series No./系列号: 5622
2. Shield Options/屏蔽层选项: S = Shield(全屏蔽)
3. EMI Options/选项:
 G = With Grounding(带接地弹片)
 N/A(缺省) = W/O Grounding(无接地弹片)

4. Slot Number/槽数: 10P
5. Contacts Number/芯数: 8C, 10C
6. Port Number/接口数量:
 N/A(缺省) = 1 Port(单口)
 1*02P = 2 Ports(二口)
 1*04P = 4 Ports(四口)