

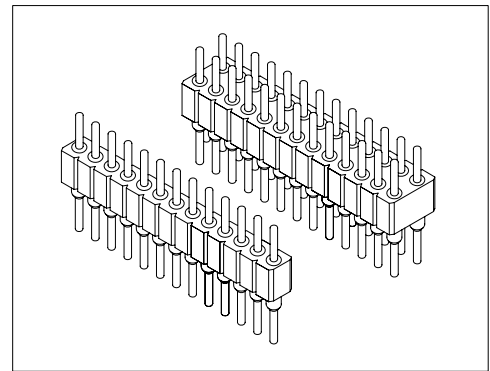
Specifications/技术参数:

Electrical/电气特性:

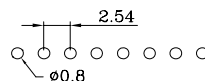
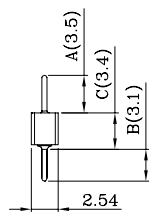
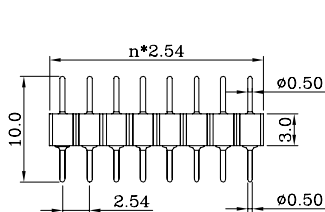
Current Rating (额定电流): 3A
 Withstand Voltage (耐压值): 1000VAC for one minute
 Contact Resistance (接触电阻): 10mΩ max
 Insulation Resistance (绝缘电阻): 1000MΩ min
 Operating Temperature (工作温度): -55°C ~ +125°C

Physical/物理特性:

Insulator (塑胶本体): PPS
 Flammability Rating (防火等级): UL 94V-0
 Contacts (接触件): Brass
 Pin Diameter (圆针直径): $\phi 0.46/\phi 0.47/\phi 0.48$
 Mechanical life (机械寿命): 500 cycles min



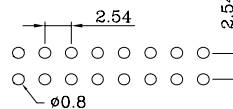
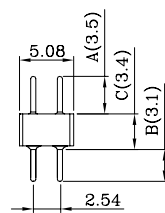
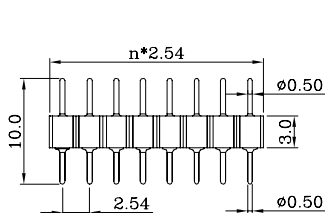
Dimension/尺寸: mm



PCB LAYOUT
线路板布局图

6101S-1*nPG-3.5/3.4/3.1

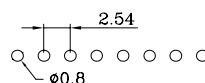
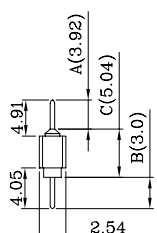
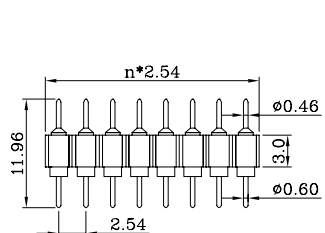
Straight pin connector ultralow profil height 3.0mm: solder tail, single row
 单排超低塑体直针连接器, 塑高3.0mm
 Poles/位数: 1 to 40 contacts
 Standard number of contacts/常用芯数: 5, 6, 8, 9, 10, 11, 12, 14, 16, 17, 20, 25, 30, 32 and 40



PCB LAYOUT
线路板布局图

6101S-2*nPG-3.5/3.4/3.1

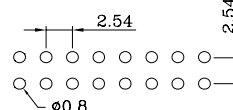
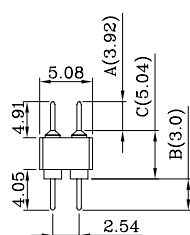
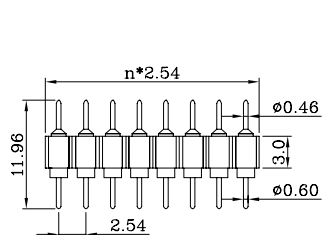
Straight pin connector ultralow profil height 3.0mm: solder tail, double row
 双排超低塑体直针连接器, 塑高3.0mm
 Poles/位数: 2 to 80 contacts
 Standard number of contacts/常用芯数: 20, 56, 60 and 72



PCB LAYOUT
线路板布局图

6101S-1*nPG-3.92/5.04/3.0

Straight pin connector height 5.04mm: solder tail, single row
 单排直针连接器, 离板高度5.04mm
 Poles/位数: 1 to 40 contacts
 Standard number of contacts/常用芯数: 5, 6, 8, 9, 10, 11, 12, 14, 16, 17, 20, 25, 30, 32 and 40

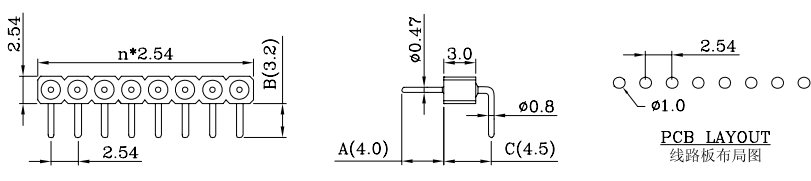


PCB LAYOUT
线路板布局图

6101S-2*nPG-3.92/5.04/3.0

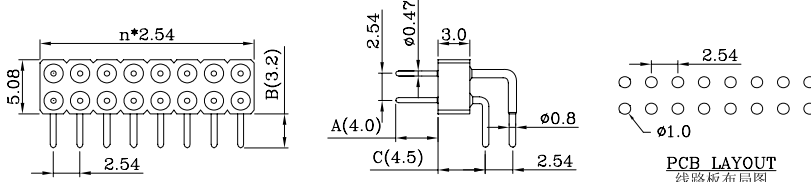
Straight pin connector height 5.04mm: solder tail, double row
 双排直针连接器, 离板高度5.04mm
 Poles/位数: 2 to 80 contacts
 Standard number of contacts/常用芯数: 20, 56, 60 and 72

6101 SERIES 2.54mm Pin Connectors



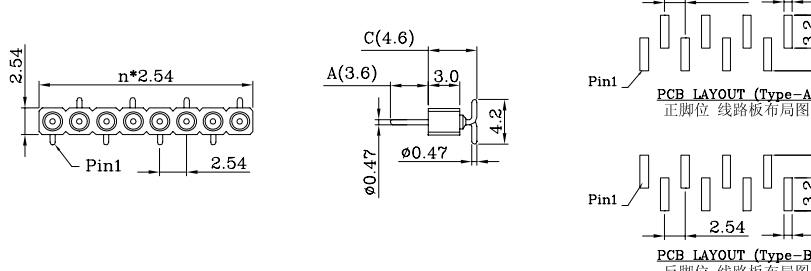
6101R-1*nPG-4.0/4.5/3.2

Right angle pin connector: solder tail single row
 单排弯针焊板连接器
 Poles/位数: 2 to 40 contacts
 Standard number of contacts/常用芯数: 20, 25, 32 and 40



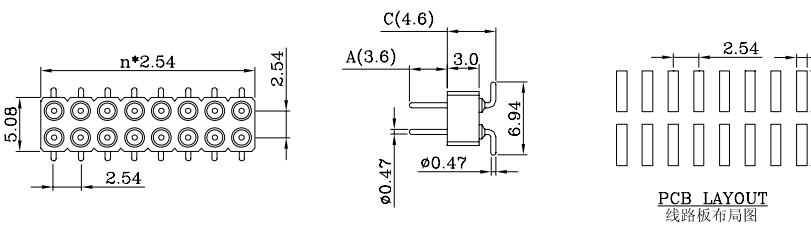
6101R-2*nPG-4.0/4.5/3.2

Right angle pin connector: solder tail double row
 双排弯针焊板连接器
 Poles/位数: 4 to 80 contacts
 Standard number of contacts/常用芯数: 20, 40, 56, 60 and 72



6101SMS-1*nPG-3.6/4.6-A

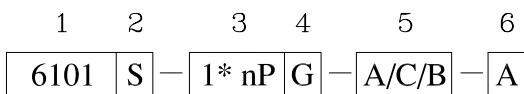
SMT pin connector: single row perpendicular mount with gull-wing terminations
 单排立贴焊板连接器
 Poles/位数: 3 to 40 contacts
 Standard number of contacts/常用芯数: 5, 6, 8, 9, 10, 11, 12, 14, 16, 17, 20, 25, 30 and 40



6101SMS-2*nPG-3.6/4.6

SMT pin connector: double row perpendicular mount with gull-wing terminations
 双排立贴焊板连接器
 Poles/位数: 4 to 80 contacts
 Standard number of contacts/常用芯数: 20, 56, 60, 64 and 72

Ordering Code/订购型号:



1. Series No./系列号: 6101

2. PCB Mount Type/安装类型:

S = Straight (直插)

R = Right Angle (弯插)

SMS = Vertical SMT Type (立贴)

3. Poles/位数:

Single/单排: 1*2P~40P

Dual/双排: 2*2P~40P

4. Contact Plating/接触件电镀:

S = Selective Gold(半金)

G = Gold Flash(全金)

5. Dimension/尺寸: A/C/B

6. PCB Mount Style/安装方式:

A = Type-A (正脚位)

B = Type-B (反脚位)