

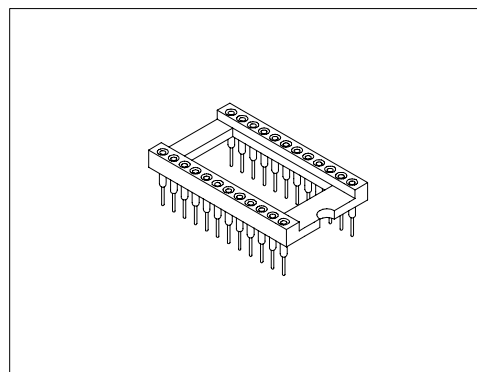
## Specifications/技术参数:

### Electrical/电气特性:

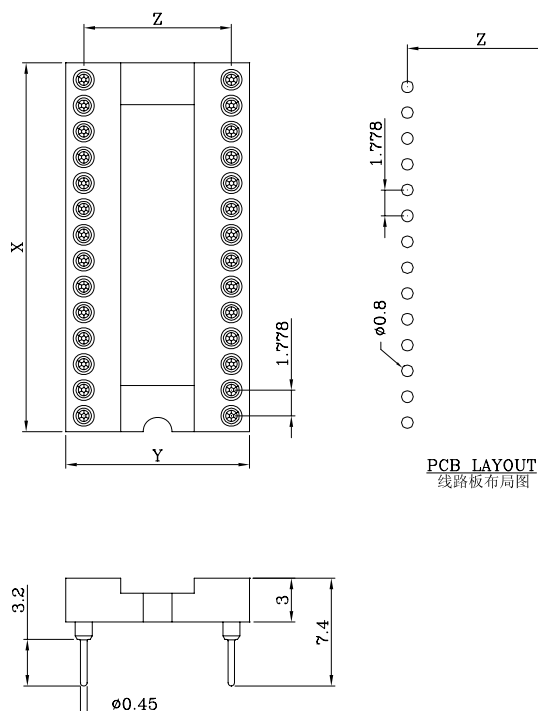
Current Rating (额定电流): 1A  
 Withstand Voltage (耐压值): 1000VAC for one minute  
 Contact Resistance (接触电阻): 10mΩ max  
 Insulation Resistance (绝缘电阻): 1000MΩ min  
 Operating Temperature (工作温度): -55°C ~ +125°C

### Physical/物理特性:

Insulator (塑胶本体): PBT  
 Flammability Rating (防火等级): UL 94V-0  
 Sleeve (套筒): Brass  
 Contact clip (接触片): Beryllium copper  
 Mating pin (配合圆针):  $\phi 0.40$  to  $\phi 0.56$ mm  
 Insertion Force (插入力): 2N typ (在用 $\phi 0.46$ mm钢针的情况下)  
 Withdrawal Force (拉出力): 1N typ (在用 $\phi 0.46$ mm钢针的情况下)  
 Mechanical life (机械寿命): 100 cycles min

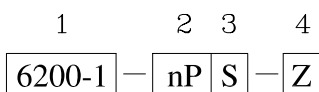


## Dimension/尺寸: mm



Poles 位数	Part No 产品型号	Dimensions/尺寸		
		X	Y	Z
24	6200-1-24PS-10.16	21.8	12.70	10.16
28	6200-1-28PS-10.16	25.2		
30	6200-1-30PS-10.16	27.0		
32	6200-1-32PS-10.16	28.8		
48	6200-1-48PS-10.16	43.1	17.64	15.24
20	6200-1-20PS-15.24	18.1		
24	6200-1-24PS-15.24	21.7		
28	6200-1-28PS-15.24	25.2		
40	6200-1-40PS-15.24	35.8		
42	6200-1-42PS-15.24	37.7		
48	6200-1-48PS-15.24	43.1		
52	6200-1-52PS-15.24	46.7		
56	6200-1-56PS-15.24	50.2		
64	6200-1-64PS-15.24	57.3		
68	6200-1-68PS-15.24	60.9	21.45	19.05
64	6200-1-64PS-19.05	57.3		

## Ordering Code/订购型号:



1. Series No./系列号: 6200-1

2. Poles/位数:

20P, 24P, 28P, 30P, 32P, 40P,  
42P, 48P, 52P, 56P, 64P, 68P.

3. Contact Plating/接触件电镀:

S = Selective Gold(半金)

G = Gold Flash(全金)

4. Linewidth/行距:

Z = 10.16, 15.24, 19.05