

ICS-1 SERIES 1.778mm DIP Socket-stamped Contacts

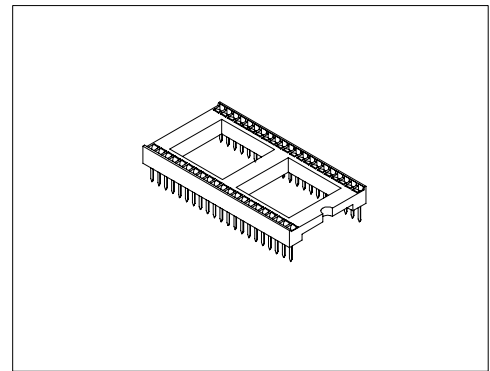
Specifications/技术参数:

Electrical/电气特性:

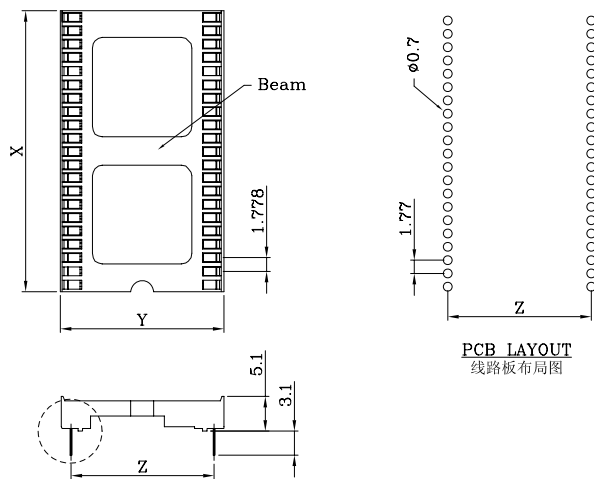
Current Rating (额定电流): 1A
 Withstand Voltage (耐压值): 1000VAC for one minute
 Contact Resistance (接触电阻): 20mΩ max
 Insulation Resistance (绝缘电阻): 1000MΩ min
 Operating Temperature (工作温度): -40°C ~ +105°C

Physical/物理特性:

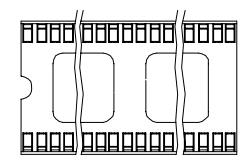
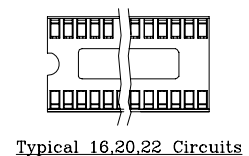
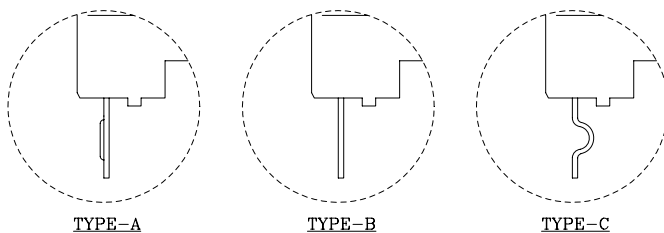
Insulator (塑胶本体): Glass filled Polyester, Black
 Flammability Rating (防火等级): UL 94V-0
 Contacts (接触件): Phosphor Bronze
 Contacts plating (接触件电镀): Tin



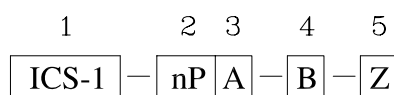
Dimension/尺寸: mm



| Poles 位数 | Part No 产品型号 | Dimensions/尺寸 | | |
|-------------|--------------------|---------------|-------|-------|
| | | X | Y | Z |
| 16 | ICS-1-16PA-7.62 | 14.22 | 10.1 | 7.62 |
| 20 | ICS-1-20PA-7.62 | 17.78 | | |
| 22 | ICS-1-22PA-7.62 | 19.55 | | |
| 24 | ICS-1-24PA-B-10.16 | 21.33 | 12.6 | 10.16 |
| 30 | ICS-1-30PA-B-10.16 | 26.67 | | |
| 32 | ICS-1-32PA-B-10.16 | 28.45 | | |
| 40 | ICS-1-40PA-B-15.24 | 35.56 | 17.72 | 15.24 |
| 42 | ICS-1-42PA-B-15.24 | 37.34 | | |
| 48 | ICS-1-48PA-B-15.24 | 42.67 | | |
| 52 | ICS-1-52PA-B-15.24 | 46.22 | | |
| 56 | ICS-1-56PA-B-15.24 | 49.78 | | |
| 64 | ICS-1-64PA-B-19.05 | 56.90 | 21.5 | 19.05 |



Ordering Code/订购型号:



- Series No./系列号: ICS-1
- Poles/位数: See above table(看上表)
- Pin Type/引脚类型:
 - A = Type-A
 - B = Type-B
 - C = Type-C

- Options/选项:
 - B = With Beam(带杠)
 - N/A(缺省) = W/O Beam(无杠)
- Linewidth/行距:
 - Z = 7.62, 10.16, 15.24, 19.05.

