

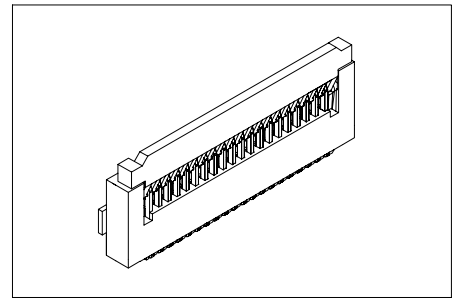
Specifications/技术参数:

Electrical/电气特性:

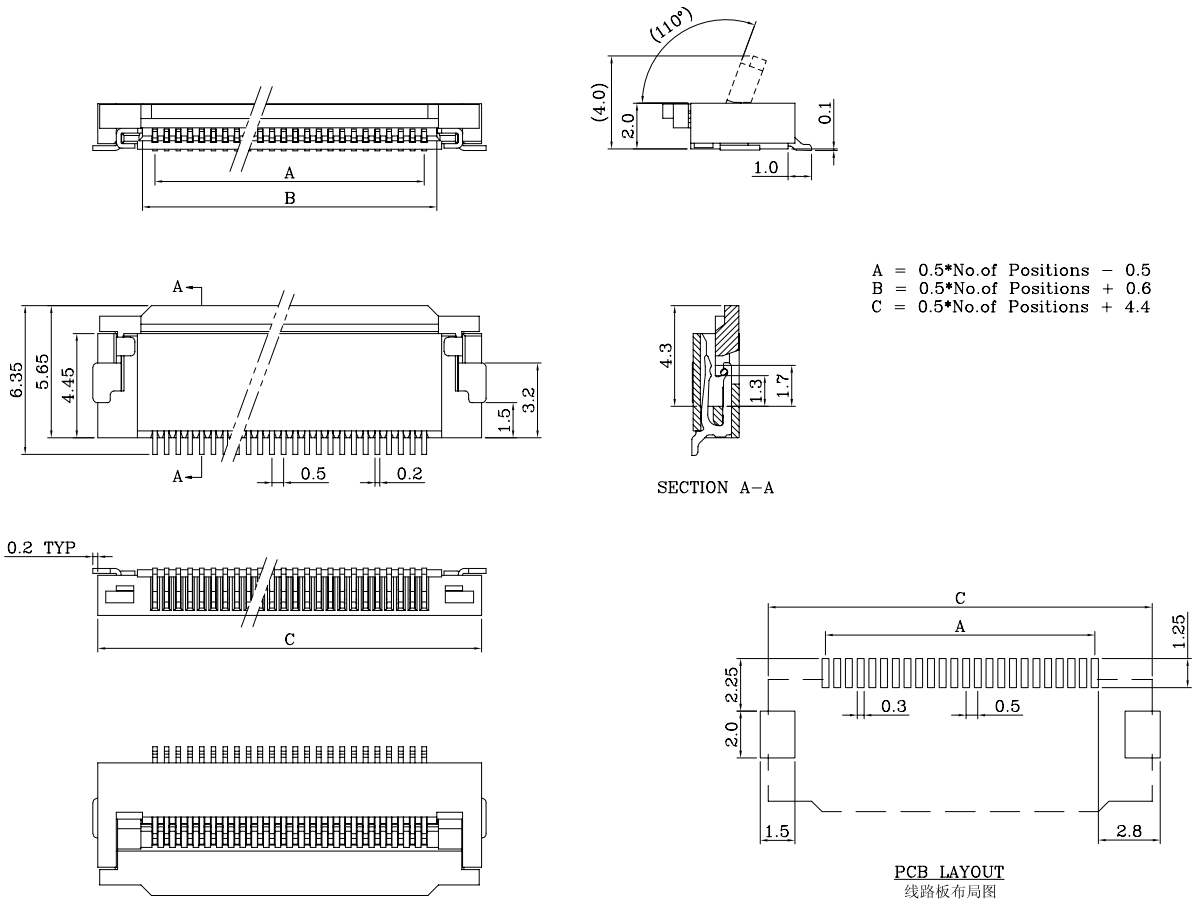
Current Rating (额定电流): 0.5A
 Voltage Rating (额定电压): 50V
 Withstand Voltage (耐压值): 500VAC for one minute
 Contact Resistance (接触电阻): 30mΩ max
 Insulation Resistance (绝缘电阻): 500MΩ min
 Operating Temperature (工作温度): -25°C ~ +85°C

Physical/物理特性:

Insulator (塑胶本体): Nylon46
 Flammability Rating (防火等级): UL 94V-0
 Contacts (接触件): Phosphor Bronze
 Contacts plating (接触件电镀): Tin-plated



Dimension/尺寸: mm

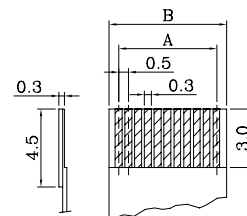


Ordering Code/订购型号:

1	2	3	4	5
6305	SMP	20P	B	L

1. Series No./系列号: 6305
2. PCB Mount Type/安装类型:
SMP = Horizontal SMT(翻盖式卧贴)
3. Poles/位数:
04P ~ 40P

4. Contact Style/接触方式:
B = Bottom Contact (下触)
5. Options/选项:
L = With Lock (带锁扣)



Applicable FFC
适用的FFC线