

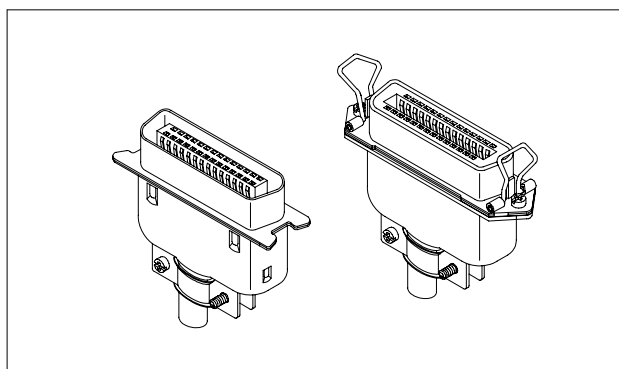
Specifications/技术参数:

Electrical/电气特性:

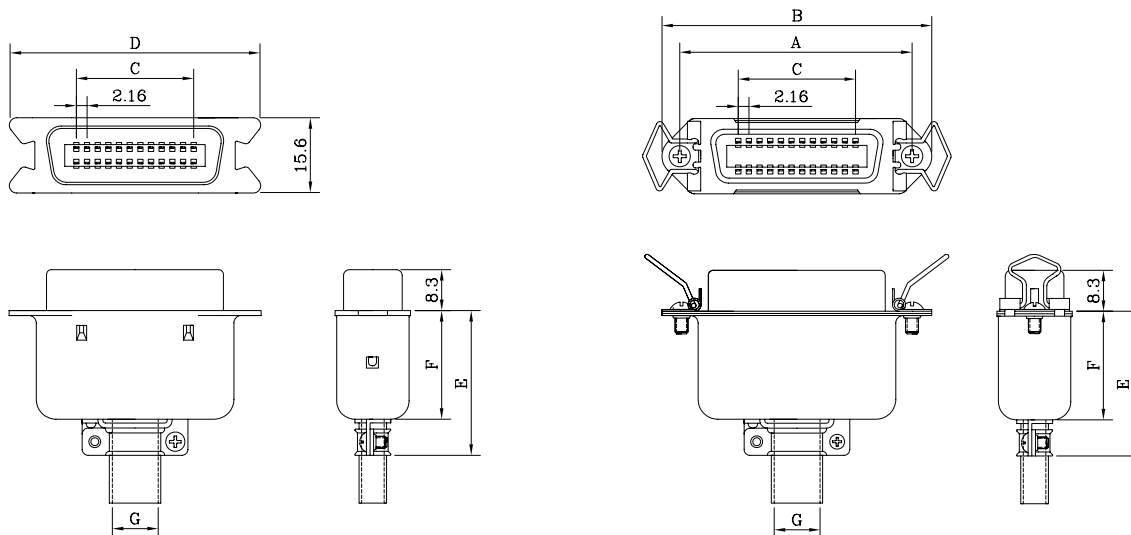
Current Rating (额定电流): 3A
 Withstand Voltage (耐压值): 1000VAC for one minute
 Contact Resistance (接触电阻): 25mΩ max
 Insulation Resistance (绝缘电阻): 5000MΩ min
 Operating Temperature (工作温度): -40°C ~ +105°C

Physical/物理特性:

Insulator (塑胶本体): Glass Filled Polyester
 Flammability Rating (防火等级): UL 94V-0
 Contacts (接触件): Copper alloy
 Contacts plating (接触件电镀): Selective gold plating on surface contact area



Dimension/尺寸: mm

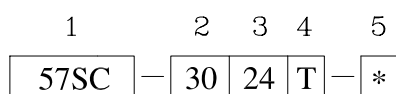


57SC-30 系列

57SC-40 系列

Poles	Dim A	Dim B	Dim C	Dim D	Dim E	Dim F	Dim G
14	36.0	43.9	12.96	37.8	32.5	21.4	ø8.6*6.0
24	46.8	54.7	23.76	48.6	32.1	21.0	ø9.8
36	59.7	67.7	36.72	61.6	34.1	23.0	ø13.9*9.8
50	74.9	82.8	51.84	76.7	36.5	25.4	ø17.0*9.8

Ordering Code/订购型号:



1. Series No./系列号:

57SC

2. Contacts type/接触件类型:

30 = Male(公头)

40 = Female(母头)

3. Poles/位数:

14、24、36、50

4. Port Type/端口类型:

T = Traditional Type(传统式)

S = Simple Type(简易式)

5. Insulator color/胶体颜色:

Default(缺省) = Blue(蓝色)

3 = Black(黑色)