

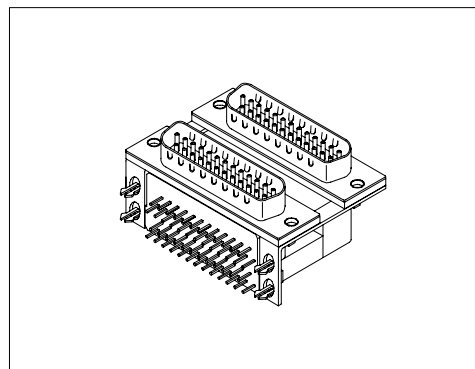
## Specifications/技术参数:

### Electrical/电气特性:

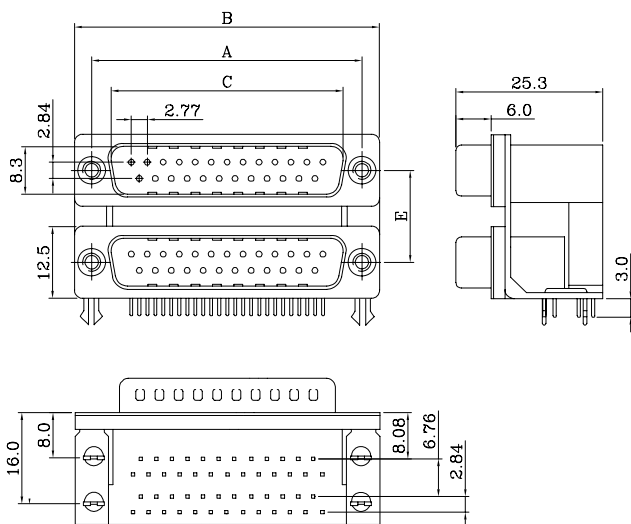
Current Rating (额定电流): 3A  
 Withstand Voltage (耐压值): 1000VAC for one minute  
 Contact Resistance (接触电阻): 20mΩ max  
 Insulation Resistance (绝缘电阻): 5000MΩ min  
 Operating Temperature (工作温度): -40°C ~ +105°C

### Physical/物理特性:

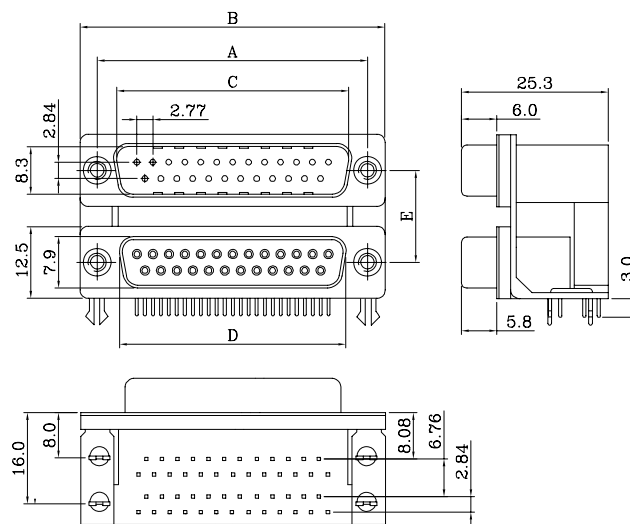
Insulator (塑胶本体): Glass Filled Polyester  
 Flammability Rating (防火等级): UL 94V-0  
 Contacts (接触件): Copper alloy  
 Contacts plating (接触件电镀): Selective gold plating on surface contact area



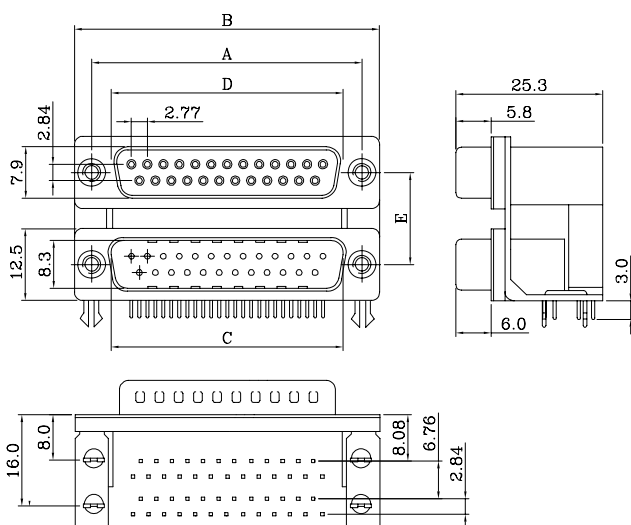
## Dimension/尺寸: mm



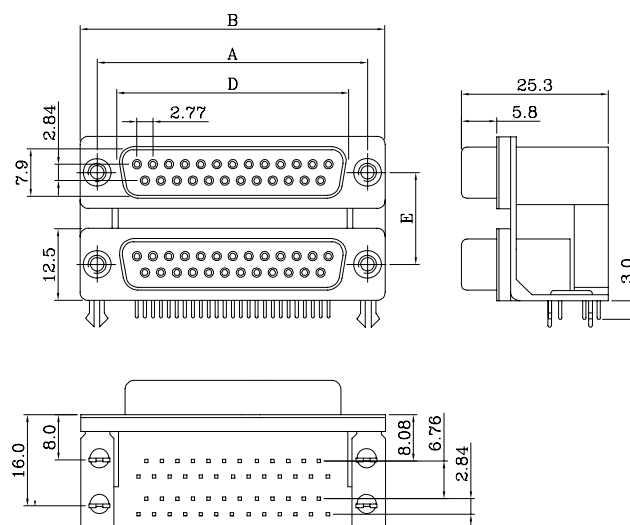
**A Type (Male/Male)**  
A款 (公针/公针)



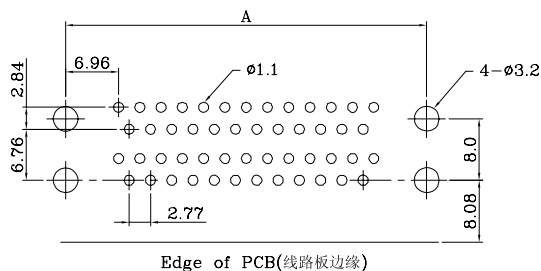
**B Type (Male/Female)**  
B款 (公针/母孔)



**C Type (Female/Male)**  
C款 (母孔/公针)



**D Type (Female/Female)**  
D款 (母孔/母孔)

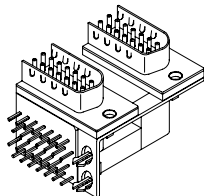
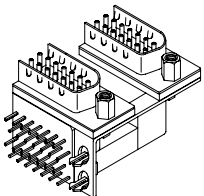
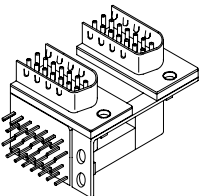
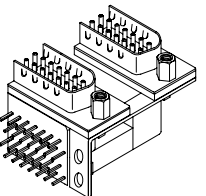


PCB LAYOUT  
线路板布局图

### Dimension/尺寸:

| Poles | Dim A | Dim B | Dim C | Dim D | Dim E |       |       |
|-------|-------|-------|-------|-------|-------|-------|-------|
|       |       |       |       |       | A     | B     | C     |
| 09    | 25.0  | 30.8  | 16.3  | 16.92 | 15.88 | 19.05 | 22.86 |
| 15    | 33.3  | 39.2  | 24.6  | 25.25 |       |       |       |
| 25    | 47.1  | 53.1  | 38.3  | 38.96 |       |       |       |
| 37    | 63.5  | 69.4  | 54.8  | 55.42 |       |       |       |

### Mounting Options/安装选项:

| CAH  | Riveted ground hooks with #4-40 UNC open | CBH  | Riveted ground hooks pre-loaded #4-40 UNC Hex screws | CAL   | Riveted ground tabs with #4-40 UNC open | CBL  | Riveted ground tabs pre-loaded #4-40 UNC Hex screws |
|--|--|--|--|---|---|--|---|
|  |  |  |  |  |   |  |   |
| 后铆鱼叉, 带#4-40螺孔   |  | 前锁#4-40六角螺柱, 后鱼叉   |  | 后铆L片, 带#4-40螺孔  |   | 前锁#4-40六角螺柱, 后L片   |   |

### Ordering Code/订购型号:

1            2 3 4 5            6            7  
 DMR-DP - 25 A S A - CBH - 3

#### 1. Series No./系列号:

DMR-DP

#### 2. Poles/位数:

- 01 = 09/HDD 15
- 02 = 25/09
- 03 = 09/25
- 04 = 15/25
- 05 = HDD 15/09
- 06 = 25/09+09
- 07 = 25/09+HDD 15
- 08 = 15/RCA JACK\*3
- 09 = 09/09
- 10 = 25(ATX)
- 15 = 15/15
- 25 = 25/25
- 37 = 37/37
- 50 = 50/50

#### 3. Contacts type/接触件类型:

- A = Male/Male (公针/公针)
- B = Male/Female (公针/母孔)
- C = Female/Male (母孔/公针)
- D = Female/Female (母孔/母孔)

#### 4. Contacts plating/接触件电镀:

- S = Selective Gold (半金)
- G = Gold flash (全金)

#### 5. Port spacing/端口距离: Dim E

- A = 15.88mm
- B = 19.05mm
- C = 22.86mm

#### 6. Mounting options/安装选项:

- CAH = Riveted ground hooks with #4-40 UNC open
- CBH = Riveted ground hooks pre-loaded #4-40 UNC Hex screws
- CAL = Riveted ground tabs with #4-40 UNC open
- CBL = Riveted ground tabs pre-loaded #4-40 UNC Hex screws

#### 7. Insulator color/胶体颜色:

- 3 = Black (黑色)