

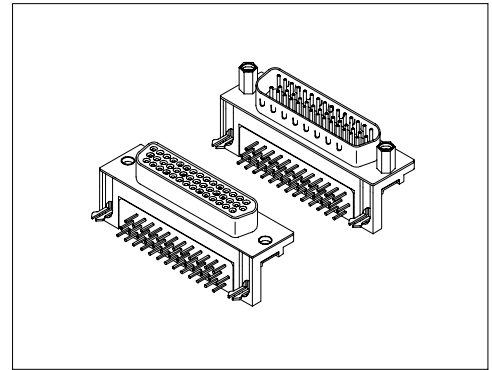
Specifications/技术参数:

Electrical/电气特性:

Current Rating (额定电流): 3A
 Withstand Voltage (耐压值): 1000VAC for one minute
 Contact Resistance (接触电阻): 20mΩ max
 Insulation Resistance (绝缘电阻): 5000MΩ min
 Operating Temperature (工作温度): -40°C ~ +105°C

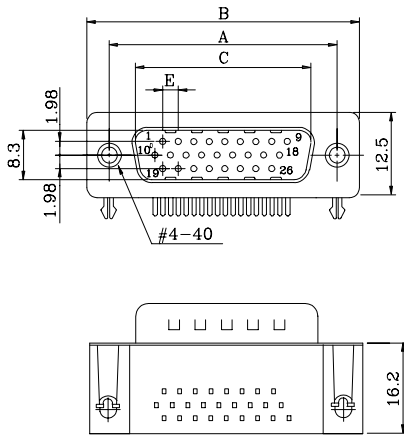
Physical/物理特性:

Insulator (塑胶本体): Glass Filled Polyester
 Flammability Rating (防火等级): UL 94V-0
 Contacts (接触件): Copper alloy
 Contacts plating (接触件电镀): Selective gold plating on surface contact area



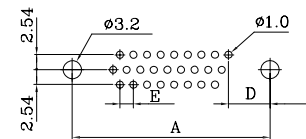
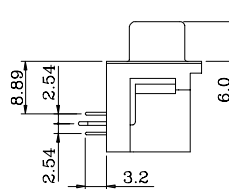
Dimension/尺寸: mm

Male/公针:



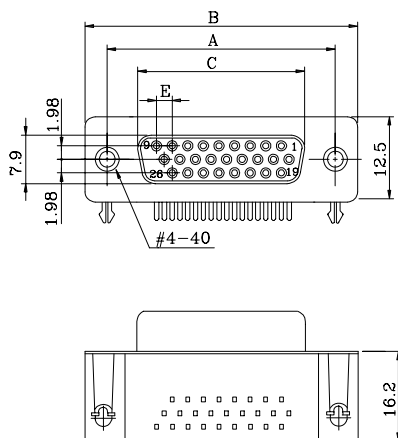
Dimension/尺寸:

Poles	Dim A	Dim B	Dim C	Dim D	Dim E
15	25.0	30.8	16.92	7.67	2.29
26	33.32	39.2	25.25	6.99	2.29
44	47.04	53.1	38.96	6.99	2.29
62	63.5	69.4	55.42	7.07	2.41



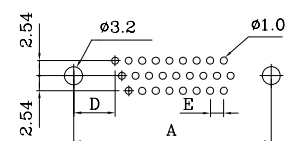
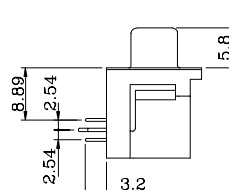
PCB LAYOUT
线路板布局图

Female/母孔:



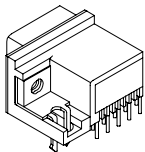
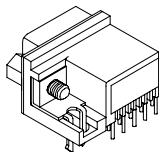
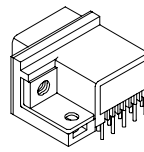
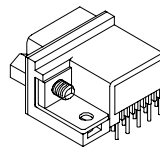
Dimension/尺寸:

Poles	Dim A	Dim B	Dim C	Dim D	Dim E
15	25.0	30.8	16.3	7.67	2.29
26	33.32	39.2	24.6	6.99	2.29
44	47.04	53.1	38.3	6.99	2.29
62	63.5	69.4	54.8	7.07	2.41



PCB LAYOUT
线路板布局图

Mounting Options/安装选项:

<p>CAH Riveted ground hooks with #4-40 UNC open</p>  <p>后铆鱼叉，带#4-40螺孔</p>	<p>CBH Riveted ground hooks pre-loaded #4-40 UNC Hex screws</p>  <p>前锁#4-40六角螺柱，后鱼叉</p>	<p>CAL Riveted ground tabs with #4-40 UNC open</p>  <p>后铆L片，带#4-40螺孔</p>	<p>CBL Riveted ground tabs pre-loaded #4-40 UNC Hex screws</p>  <p>前锁#4-40六角螺柱，后L片</p>
---	---	---	--

Ordering Code/订购型号:

1
2 3 4
5
6

DMRH
—
15
F
G
—
CBH
—
3

1. Series No./系列号:

DMRH

2. Poles/位数:

15、26、44、62

3. Contacts type/接触件类型:

M = Male(公针)

F = Female(母孔)

4. Contacts plating/接触件电镀:

S = Selective Gold(半金)

G = Gold flash(全金)

G5 = 5μ" Gold(镀金5μ")

5. Mounting options/安装选项:

CAH = Riveted ground hooks with #4-40 UNC open

CBH = Riveted ground hooks pre-loaded #4-40 UNC Hex screws

CAL = Riveted ground tabs with #4-40 UNC open

CBL = Riveted ground tabs pre-loaded #4-40 UNC Hex screws

6. Insulator color/胶体颜色:

1 = White(白色)

2 = Blue(蓝色)

3 = Black(黑色)

4 = Grey(灰色)