

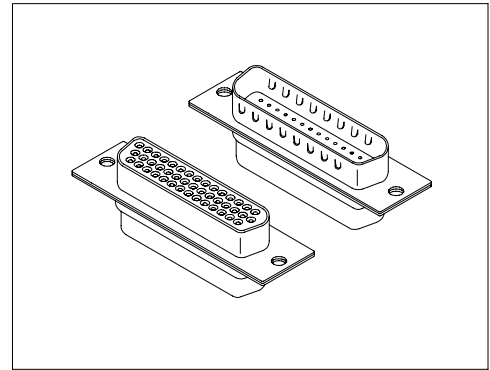
Specifications/技术参数:

Electrical/电气特性:

Current Rating (额定电流): 3A
 Withstand Voltage (耐压值): 1000VAC for one minute
 Contact Resistance (接触电阻): 20mΩ max
 Insulation Resistance (绝缘电阻): 5000MΩ min
 Operating Temperature (工作温度): -40°C ~ +105°C

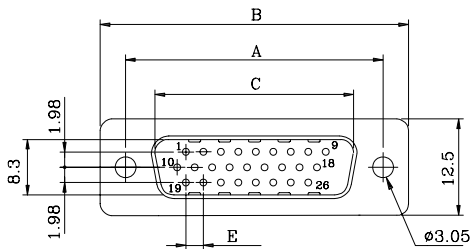
Physical/物理特性:

Insulator (塑胶本体): Glass Filled Polyester
 Flammability Rating (防火等级): UL 94V-0
 Contacts (接触件): Copper alloy
 Contacts plating (接触件电镀): Selective gold plating on surface contact area



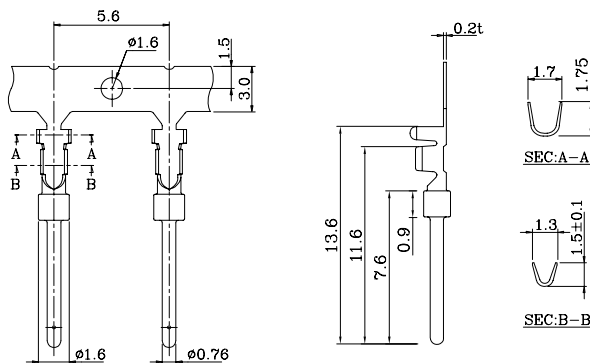
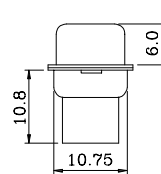
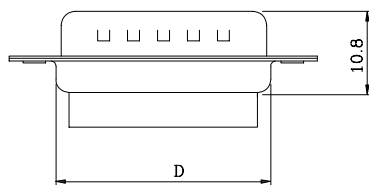
Dimension/尺寸: mm

Male/公针:



Dimension/尺寸:

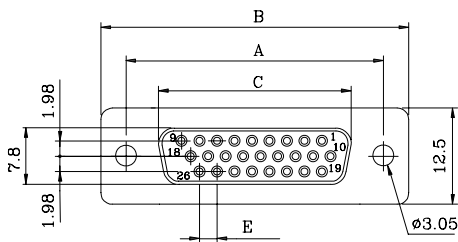
Poles	Dim A	Dim B	Dim C	Dim D	Dim E
15	25.0	30.8	16.92	19.2	2.29
26	33.32	39.2	25.25	27.7	2.29
44	47.04	53.1	38.96	41.1	2.29
62	63.5	69.4	55.42	57.3	2.41



Part No	Wire Range	Insulation Diameter	Material
DCHHT-M	AWG #26-#30	1.2mm (max)	Brass

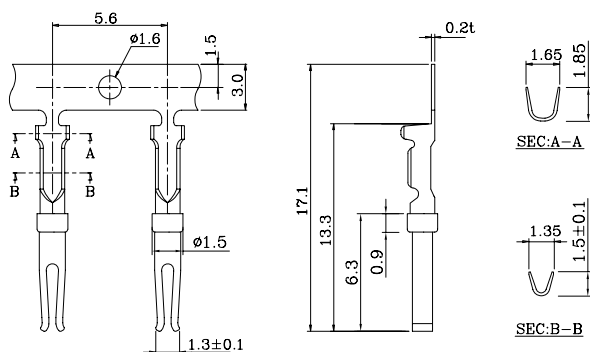
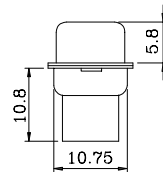
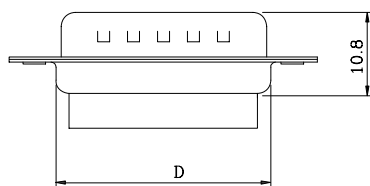
DCHH SERIES High Density Crimp Clip D-SUB

Female/母孔:



Dimension/尺寸:

Poles	Dim A	Dim B	Dim C	Dim D	Dim E
15	25.0	30.8	16.3	19.3	2.29
26	33.32	39.2	24.6	27.7	2.29
44	47.04	53.1	38.3	41.1	2.29
62	63.5	69.4	54.8	57.3	2.41



Part No	Wire Range	Insulation Diameter	Material
DCHHT-F	AWG #26-#30	1.2mm (max)	Phosphor Bronze

Ordering Code/订购型号: Housing(塑壳)

1 2 3 4 5
DCHH - **15** **M** - **AA** - **3**

- Series No./系列号:
DCHH
- Poles/位数:
15、26、44、62
- Contacts type/接触件类型:
M = Male(公针)
F = Female(母孔)
- Mounting options/安装选项:
AA = With $\phi 3.05$ mm holes on shell (带 $\phi 3.05$ mm光孔)
CB = Riveted #4-40 UNC close nuts on front shell(前铆#4-40螺丝)
CE = Riveted #4-40 UNC open nuts on rear shell(后铆#4-40螺丝)
- Insulator color/胶体颜色:
1 = White(白色)
2 = Blue(蓝色)
3 = Black(黑色)
4 = Grey(灰色)

Ordering Code/订购型号: Terminal(端子)

1 2 3
DCHHT - **M** - **S**

- Series No./系列号:
DCHHT
- Contacts type/接触件类型:
M = Male(公针)
F = Female(母孔)
- Contacts plating/接触件电镀:
S = Selective Gold(半金)
G = Gold flash(全金)