

# DCH SERIES Crimp Clip D-SUB

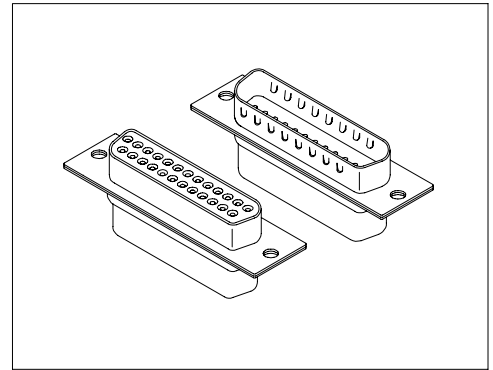
## Specifications/技术参数:

### Electrical/电气特性:

Current Rating (额定电流): 3A  
 Withstand Voltage (耐压值): 1000VAC for one minute  
 Contact Resistance (接触电阻): 20mΩ max  
 Insulation Resistance (绝缘电阻): 5000MΩ min  
 Operating Temperature (工作温度): -40°C ~ +105°C

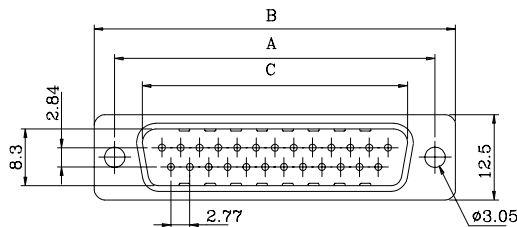
### Physical/物理特性:

Insulator (塑胶本体): Glass Filled Polyester  
 Flammability Rating (防火等级): UL 94V-0  
 Contacts (接触件): Copper alloy  
 Contacts plating (接触件电镀): Selective gold plating on surface contact area



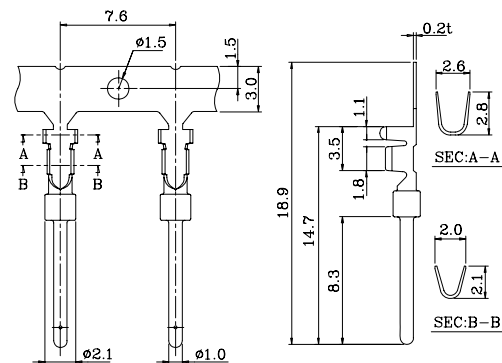
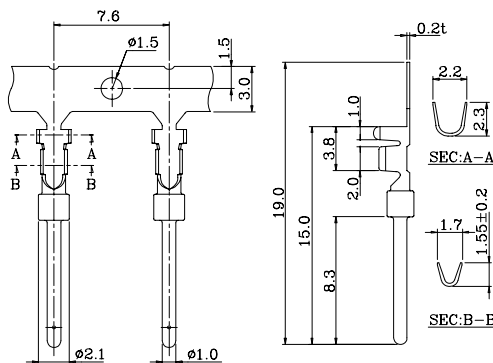
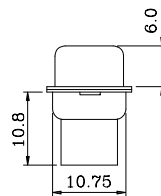
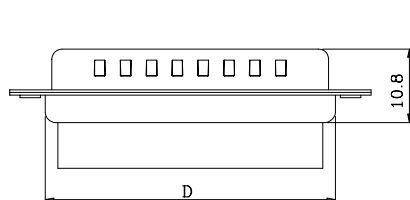
## Dimension/尺寸: mm

### Male/公针:



### Dimension/尺寸:

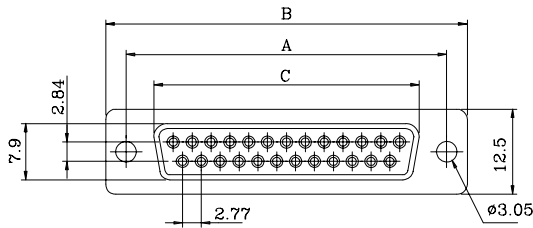
Poles	Dim A	Dim B	Dim C	Dim D
9	25.0	30.8	16.92	19.2
15	33.32	39.2	25.25	27.7
25	47.04	53.1	38.96	41.1
37	63.5	69.4	55.42	57.3



Terminal version	Wire Range	Insulation Diameter	Material
A	AWG #24-#28	1.45mm (max)	Brass

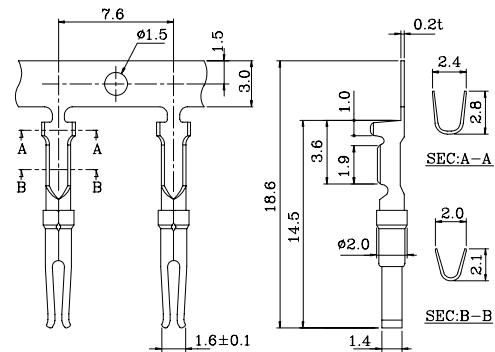
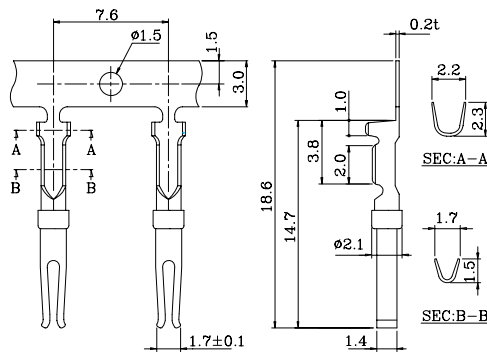
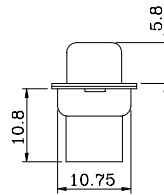
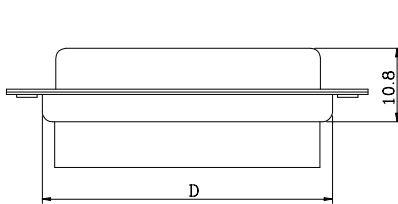
Terminal version	Wire Range	Insulation Diameter	Material
B	AWG #22-#24	1.6mm (max)	Brass

## Female/母孔:



Dimension/尺寸:

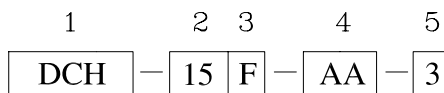
Poles	Dim A	Dim B	Dim C	Dim D
9	25.0	30.8	16.3	19.2
15	33.32	39.2	24.6	27.7
25	47.04	53.1	38.3	41.1
37	63.5	69.4	54.8	57.3



Terminal version	Wire Range	Insulation Diameter	Material
A	AWG #24-#28	1.45mm (max)	Phosphor Bronze

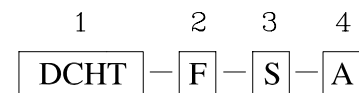
Terminal version	Wire Range	Insulation Diameter	Material
B	AWG #22-#24	1.6mm (max)	Phosphor Bronze

## Ordering Code/订购型号: Housing(塑壳)



- |  |  |
|--|--|
| 1. Series No./系列号:<br>DCH  | 5. Insulator color/胶体颜色:<br>1 = White(白色)<br>2 = Blue(蓝色)<br>3 = Black(黑色)<br>4 = Grey(灰色) |
| 2. Poles/位数:<br>9、15、25、37   |  |
| 3. Contacts type/接触件类型:<br>M = Male(公针)<br>F = Female(母孔)  |  |
| 4. Mounting options/安装选项:<br>AA = With ø3.05mm holes on shell (带ø3.05mm光孔)<br>CB = Riveted #4-40 UNC close nuts on front shell(前铆#4-40螺丝)<br>CE = Riveted #4-40 UNC open nuts on rear shell(后铆#4-40螺丝) |  |

## Ordering Code/订购型号: Terminal(端子)



- |  |  |
|--|--|
| 1. Series No./系列号:<br>DCHT   |  |
| 2. Contacts type/接触件类型:<br>M = Male(公针)<br>F = Female(母孔)                  |  |
| 3. Contacts plating/接触件电镀:<br>S = Selective Gold(半金)<br>G = Gold flash(全金) |  |
| 4. Terminal version/端子种类:<br>A = for AWG#24-#28<br>B = for AWG#22-#24      |  |