

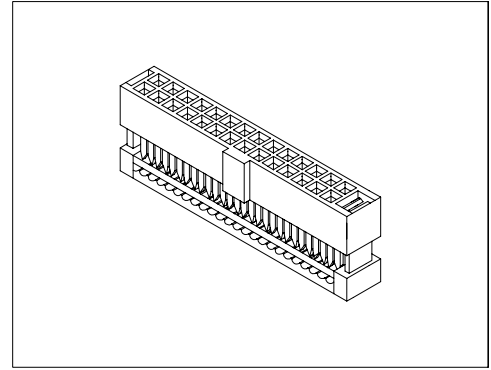
Specifications/技术参数:

Electrical/电气特性:

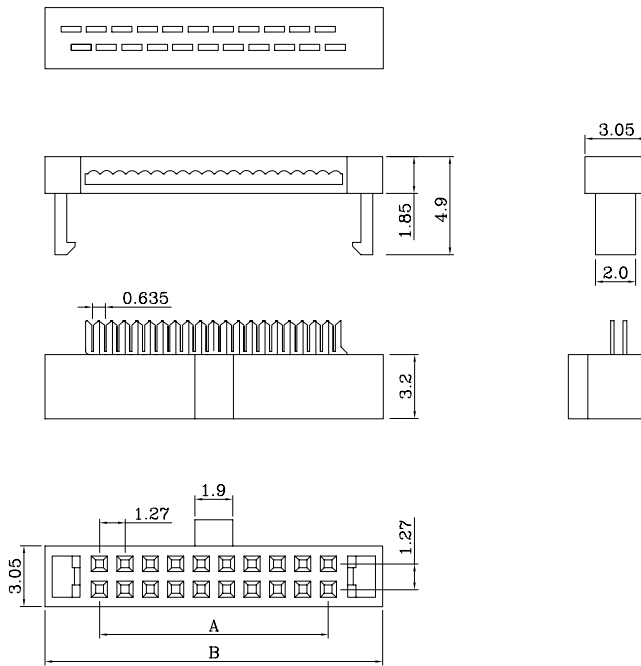
Current Rating (额定电流): 0.5A
 Withstand Voltage (耐压值): 250VAC for one minute
 Contact Resistance (接触电阻): 30mΩ max
 Insulation Resistance (绝缘电阻): 1000MΩ min
 Operating Temperature (工作温度): -40°C ~ +105°C

Physical/物理特性:

Insulator (塑胶本体): P.B.T +30% Glass Fiber
 Flammability Rating (防火等级): UL 94V-0
 Contacts (接触件): Phosphor Bronze or Brass
 Contacts plating (接触件电镀): Gold over Nickel or Tin

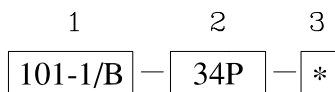


Dimension/尺寸: mm



Poles	Dim A	Dim B
10	5.08	10.54
12	6.35	11.81
14	7.62	13.08
16	8.89	14.35
20	11.43	16.89
26	15.24	20.70
30	17.78	23.24
34	20.32	25.78
40	24.13	29.59
44	26.67	32.13
50	30.48	35.94
60	36.83	42.29
68	41.91	47.37
80	49.53	54.99
100	62.23	67.69

Ordering Code/订购型号:



1. Series No./系列号: 101-1/B
2. Poles/位数: 6~80P
3. Color/胶体颜色: N/A(缺省) = Black(黑色)