

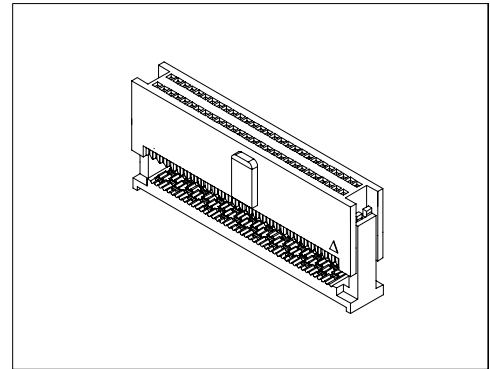
Specifications/技术参数:

Electrical/电气特性:

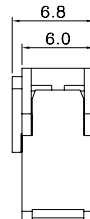
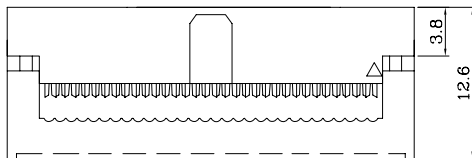
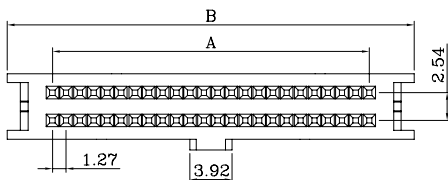
Current Rating (额定电流): 1A  
 Withstand Voltage (耐压值): 500VAC for one minute  
 Contact Resistance (接触电阻): 20mΩ max  
 Insulation Resistance (绝缘电阻): 1000MΩ min  
 Operating Temperature (工作温度): -55°C ~ +105°C

Physical/物理特性:

Insulator (塑胶本体): P.B.T +30% Glass Fiber  
 Flammability Rating (防火等级): UL 94V-0  
 Contacts (接触件): Phosphor Bronze or Brass  
 Contacts plating (接触件电镀): Gold over Nickel or Tin

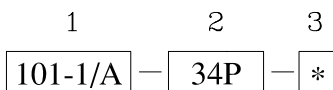


Dimension/尺寸: mm



Poles	Dim A	Dim B
20	11.43	18.55
26	15.24	22.36
32	19.05	26.17
34	20.32	27.44
40	24.13	31.25
50	30.48	37.60
52	31.75	38.87
60	36.83	43.95
68	41.91	49.03
80	49.53	56.65
100	62.22	69.35

Ordering Code/订购型号:



1. Series No./系列号: 101-1/B
2. Poles/位数: 20~100P
3. Color/胶体颜色: N/A(缺省) = Black(黑色)