

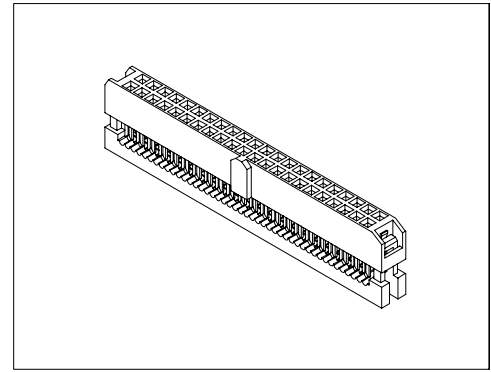
Specifications/技术参数:

Electrical/电气特性:

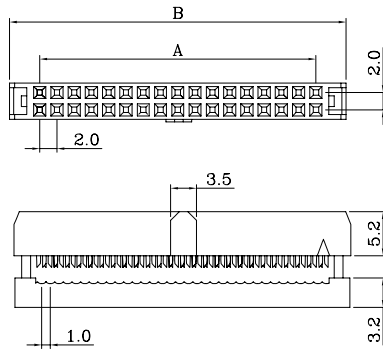
Current Rating (额定电流): 1A
 Withstand Voltage (耐压值): 500VAC for one minute
 Contact Resistance (接触电阻): 30mΩ max
 Insulation Resistance (绝缘电阻): 1000MΩ min
 Operating Temperature (工作温度): -55°C ~ +105°C

Physical/物理特性:

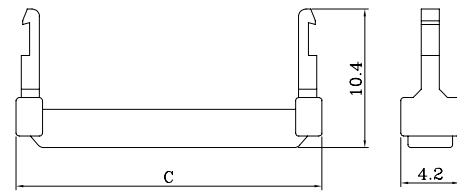
Insulator (塑胶本体): P.B.T +30% Glass Fiber
 Flammability Rating (防火等级): UL 94V-0
 Contacts (接触件): Phosphor Bronze or Brass
 Contacts plating (接触件电镀): Gold over Nickel or Tin



Dimension/尺寸: mm

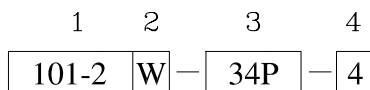


Strain Relief/压条:



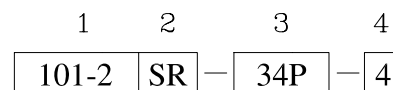
Poles	Dim A	Dim B	Dim C	poles	Dim A	Dim B	Dim C	poles	Dim A	Dim B	Dim C
10	8.0	15.2	15.2	26	24.0	31.2	31.2	48	46.0	53.2	53.2
12	10.0	17.2	17.2	30	28.0	35.2	35.2	50	48.0	55.2	55.2
14	12.0	19.2	19.2	32	30.0	37.2	37.2	56	54.0	61.2	61.2
16	14.0	21.2	21.2	34	32.0	39.2	39.2	60	58.0	65.2	65.2
18	16.0	23.2	23.2	36	34.0	41.2	41.2	64	62.0	69.2	69.2
20	18.0	25.2	25.2	38	36.0	43.2	43.2	68	66.0	73.2	73.2
22	20.0	27.2	27.2	40	38.0	45.2	45.2				
24	22.0	29.2	29.2	44	42.0	49.2	49.2				

Ordering Code/订购型号:



1. Series No./系列号: 101-2
2. Options/选项:
 N/A(缺省) = W/O Strain Relief(不带压条)
 W = With Strain Relief(带压条)
3. Poles/位数: 10~68P
4. Color/胶体颜色: N/A = Black(黑色)
 4 = Grey(灰色)

Strain Relief/压条:



1. Series No./系列号: 101-2
2. SR = Strain Relief(压条)
3. Poles/位数: 10~68P
4. Color/胶体颜色: N/A = Black(黑色)
 4 = Grey(灰色)