

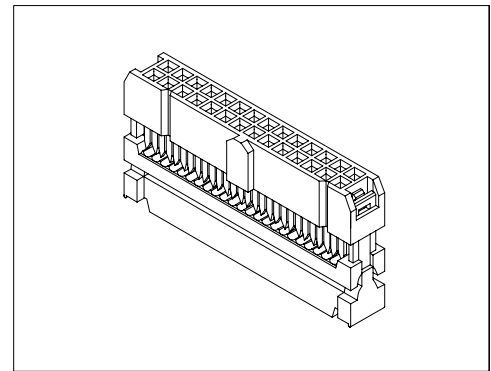
Specifications/技术参数:

Electrical/电气特性:

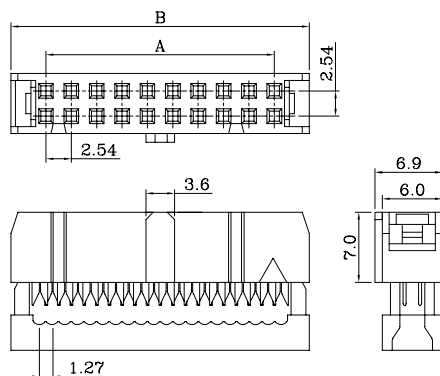
Current Rating (额定电流): 1A
 Withstand Voltage (耐压值): 500VAC for one minute
 Contact Resistance (接触电阻): 30mΩ max
 Insulation Resistance (绝缘电阻): 1000MΩ min
 Operating Temperature (工作温度): -55°C ~ +105°C

Physical/物理特性:

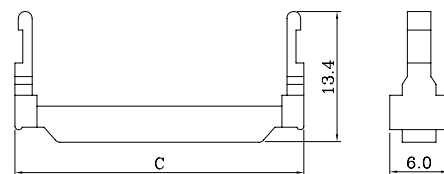
Insulator (塑胶本体): P.B.T +30% Glass Fiber
 Flammability Rating (防火等级): UL 94V-0
 Contacts (接触件): Phosphor Bronze or Brass
 Contacts plating (接触件电镀): Gold over Nickel or Tin



Dimension/尺寸: mm

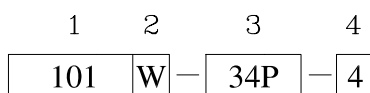


Strain Relief/压条:



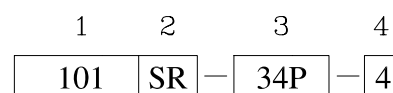
poles	Dim A	Dim B	Dim C	poles	Dim A	Dim B	Dim C	poles	Dim A	Dim B	Dim C
6	5.08	12.19	12.19	24	27.94	35.05	35.05	50	60.96	68.07	68.07
8	7.62	14.73	14.73	26	30.48	37.59	37.59	56	68.58	75.69	75.69
10	10.16	17.27	17.27	30	35.56	42.67	42.67	60	73.66	80.77	80.77
12	12.70	19.81	19.81	34	40.64	47.75	47.75	62	76.20	83.31	83.31
14	15.24	22.35	22.35	36	43.18	50.43	50.43	64	78.74	85.85	85.85
16	17.78	24.89	24.89	40	48.26	55.37	55.37				
20	22.86	29.97	29.97	44	53.34	60.45	60.45				

Ordering Code/订购型号:



- Series No./系列号: 101
- Options/选项:
 N/A(缺省) = W/O Strain Relief(不带压条)
 W = With Strain Relief(带压条)
- Poles/位数: 6~64P
- Color/胶体颜色: N/A = Black(黑色)
 4 = Grey(灰色)

Strain Relief/压条:



- Series No./系列号: 101
- SR = Strain Relief(压条)
- Poles/位数: 6~64P
- Color/胶体颜色: N/A = Black(黑色)
 4 = Grey(灰色)