

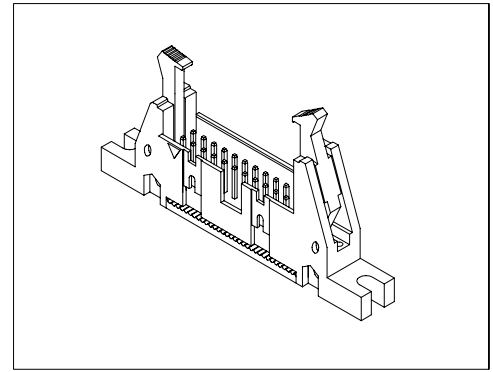
## Specifications/技术参数:

### Electrical/电气特性:

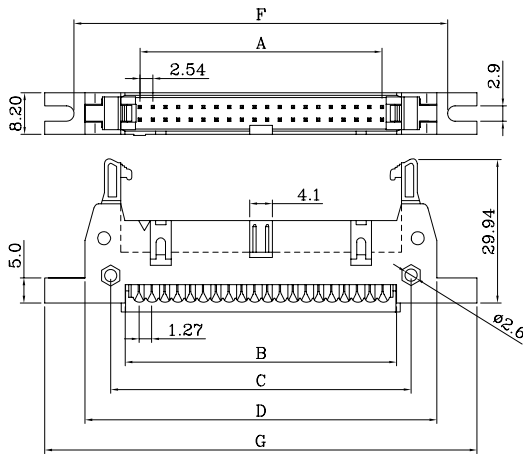
Current Rating (额定电流): 1A  
 Withstand Voltage (耐压值): 500VAC for one minute  
 Contact Resistance (接触电阻): 30mΩ max  
 Insulation Resistance (绝缘电阻): 1000MΩ min  
 Operating Temperature (工作温度): -55°C ~ +105°C

### Physical/物理特性:

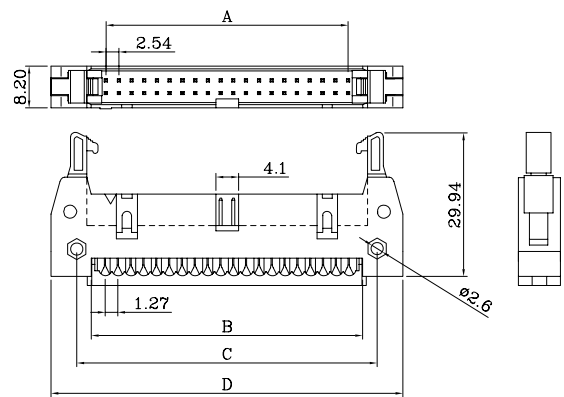
Insulator (塑胶本体): P.B.T +30% Glass Fiber  
 Flammability Rating (防火等级): UL 94V-0  
 Contacts (接触件): Phosphor Bronze or Brass  
 Contacts plating (接触件电镀): Gold over Nickel or Tin



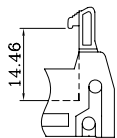
## Dimension/尺寸: mm



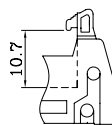
With Mounting Ear/有耳



W/O Mounting Ear/无耳



Long Latch/长耳



Short Latch/短耳

Poles	Dim A	Dim B	Dim C	Dim D	Dim F	Dim G
10	10.16	15.30	21.70	31.87	36.20	47.00
14	15.24	20.38	26.88	36.95	41.28	52.08
16	17.78	22.92	29.27	39.48	43.82	54.62
20	22.86	28.00	34.50	44.62	48.90	59.70
24	27.94	33.08	39.50	49.67	53.98	64.78
26	30.48	35.60	42.05	52.23	56.52	67.32
30	35.56	40.70	47.20	57.30	61.60	72.40
34	40.64	45.78	52.15	62.38	66.68	77.48
40	48.26	53.40	59.90	69.95	74.30	85.10
50	60.96	66.10	72.55	82.70	87.00	97.80
60	73.66	78.80	85.25	95.45	99.70	110.50
64	78.73	83.88	90.35	100.60	104.78	115.58

## Ordering Code/订购型号:

1 2 3 4 5  
 301F A - 40P B - 4

1. Series No./系列号: 301F

2. Mount Type/安装类型:

A = With Mounting Ear(有耳)

B = W/O Mounting Ear(无耳)

3. Poles/位数: 10~64P

5. Latch Option/锁扣选项:

B = Short Latch(短耳)

N/A(缺省) = Long Latch(长耳)

6. Color/胶体颜色:

N/A(缺省) = Black(黑色)

4 = Grey(灰色)