

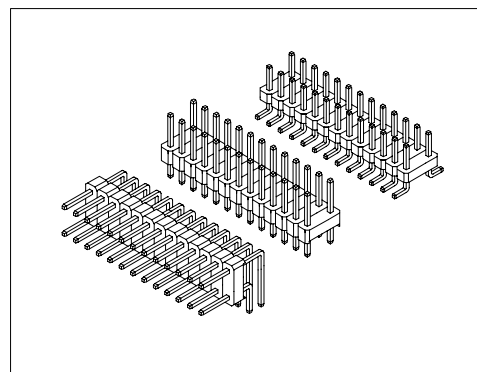
Specifications/技术参数:

Electrical/电气特性:

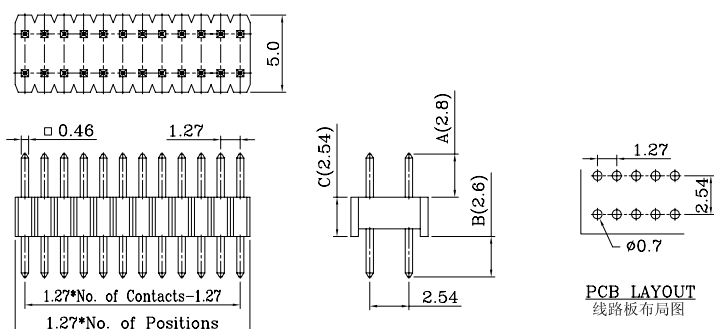
Current Rating (额定电流): 1A  
 Withstand Voltage (耐压值): 500VAC for one minute  
 Contact Resistance (接触电阻): 20mΩ max  
 Insulation Resistance (绝缘电阻): 1000MΩ min  
 Operating Temperature (工作温度): -40°C ~ +105°C

Physical/物理特性:

Insulator (塑胶本体): P.B.T or PA6T +30% GF, Color Black  
 Flammability Rating (防火等级): UL 94V-0  
 Contacts (接触件): Brass  
 Contacts plating (接触件电镀): Gold flash over Nickel

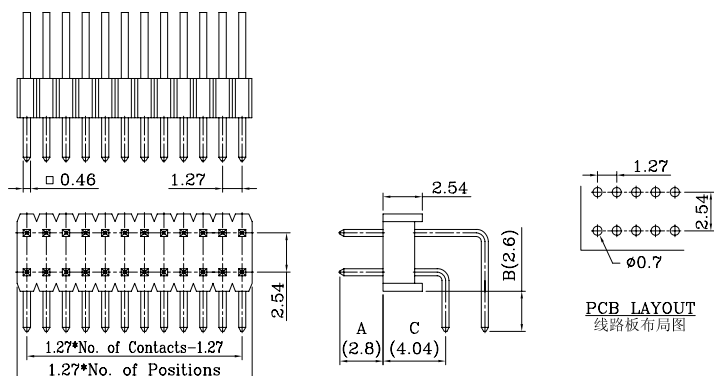


Dimension/尺寸: mm



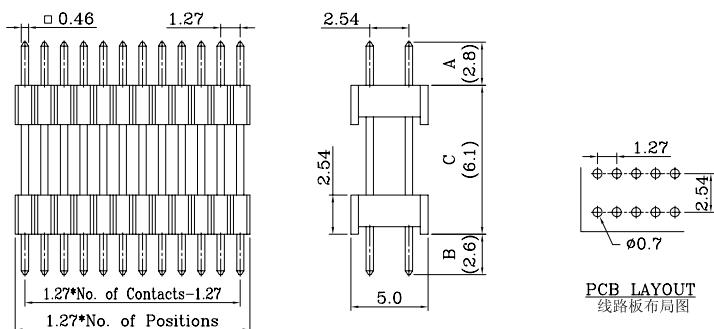
Dual row 06 to 100 contacts/双排6-100芯  
 0.46mm Square post/0.46mm四方针  
 Base height/塑体高度: 2.54mm standard

Ordering Code/订购型号:  
 201-1/A-S-2\*nPG-2.8/2.54/2.6



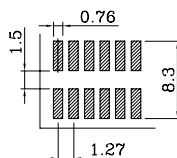
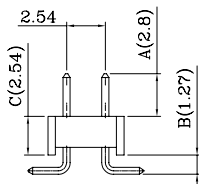
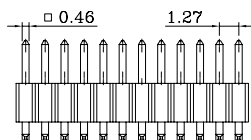
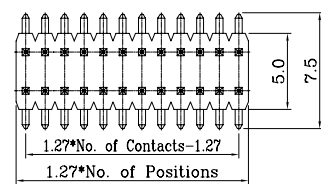
Dual row 06 to 100 contacts/双排6-100芯  
 0.46mm Square post/0.46mm四方针  
 Base height/塑体高度: 2.54mm standard

Ordering Code/订购型号:  
 201-1/A-R-2\*nPG-2.8/4.04/2.6



Dual row 06 to 100 contacts/双排6-100芯  
 0.46mm Square post/0.46mm四方针  
 Base height/塑体高度: 2.54mm standard

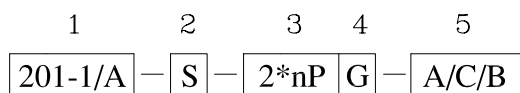
Ordering Code/订购型号:  
 201-1/A-DLS-2\*nPG-2.8/6.1/2.6



PCB LAYOUT  
线路板布局图

Dual row 06 to 100 contacts/双排6-100芯  
0.46mm Square post/0.46mm四方针  
Base height/塑体高度: 2.54mm standard  
Ordering Code/订购型号:  
201-1/A-SMS-2\*nPG-2.8/2.54/1.27

Ordering Code/订购型号:



1. Series No./系列号: 201-1/A

2. PCB Mount Type/安装类型:

- S = Vertical DIP Type(直插)
- R = Right Angle DIP Type(弯插)
- SMS = Vertical SMT Type(立贴)
- DLS = Dual Bodies Vertical DIP Type(双塑体直插)

3. Poles/位数: 2\*3P ~ 2\*50P

4. Contacts plating/接触件电镀:

- S = Selective Gold(半金)
- G = Gold flash(全金)
- G3 = 3μ" Gold(镀金3μ")

5. Pin Dimension/方针尺寸: A/C/B