

201 SERIES 2.54mm Single Row Pin Headers

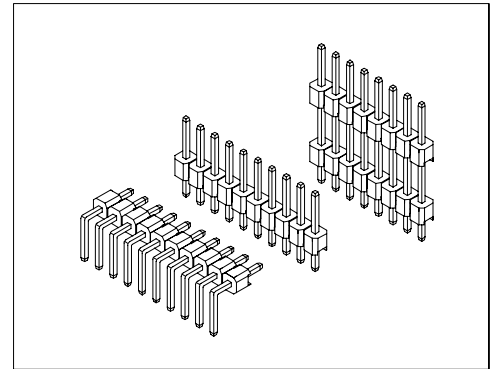
Specifications/技术参数:

Electrical/电气特性:

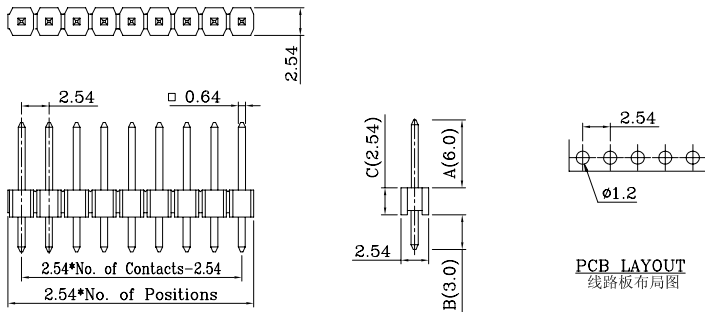
Current Rating (额定电流): 3A
 Withstand Voltage (耐压值): 500VAC for one minute
 Contact Resistance (接触电阻): 20mΩ max
 Insulation Resistance (绝缘电阻): 1000MΩ min
 Operating Temperature (工作温度): -40°C ~ +105°C

Physical/物理特性:

Insulator (塑胶本体): P.B.T or PA6T +30% GF, Color Black
 Flammability Rating (防火等级): UL 94V-0
 Contacts (接触件): Brass
 Contacts plating (接触件电镀): Gold flash over Nickel

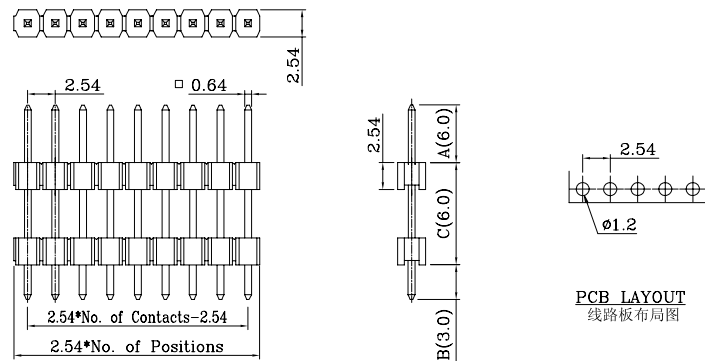


Dimension/尺寸: mm



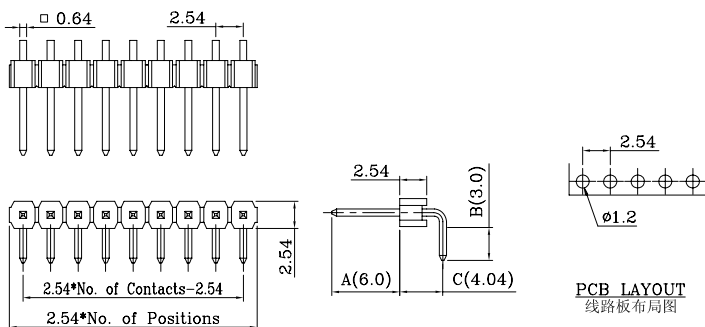
Single row 01 to 40 contacts/单排1-40芯
 0.64mm Square post/0.64mm四方针
 Base height/塑体高度: 2.54mm standard

Ordering Code/订购型号:
 201S-1*nPG-6.0/3.0



Single row 01 to 40 contacts/单排1-40芯
 0.64mm Square post/0.64mm四方针
 Base height/塑体高度: 2.54mm standard

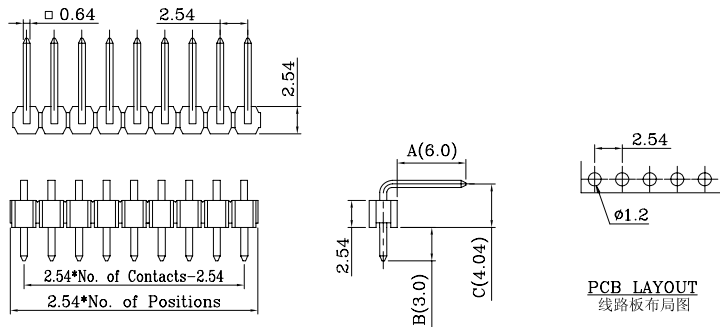
Ordering Code/订购型号:
 201DLS-1*nPG-6.0/6.0/3.0



Single row 01 to 40 contacts/单排1-40芯
 0.64mm Square post/0.64mm四方针
 Base height/塑体高度: 2.54mm standard
 C = 4.04mm (standard)

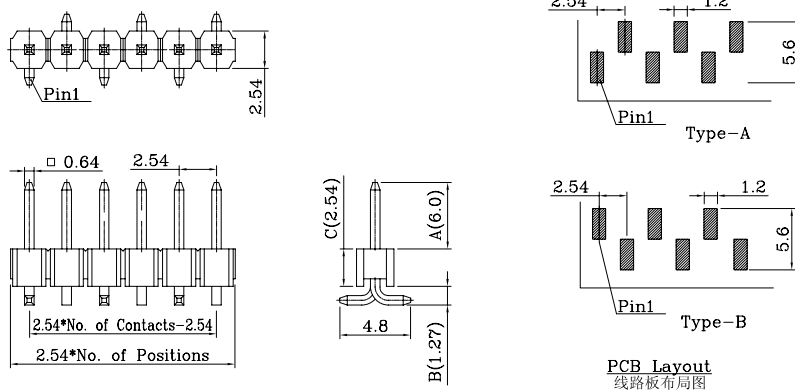
Ordering Code/订购型号:
 201R-1*nPG-6.0/3.0

201 SERIES 2.54mm Single Row Pin Headers



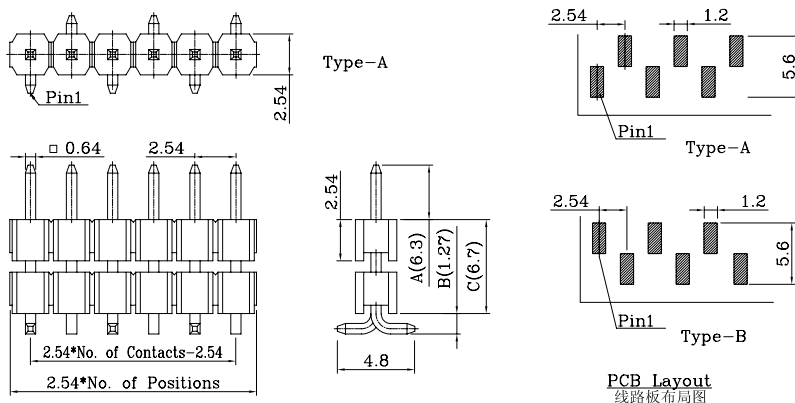
Single row 01 to 40 contacts/单排1-40芯
0.64mm Square post/0.64mm四方针
Base height/塑体高度: 2.54mm standard
C = 4.04mm (standard)

Ordering Code/订购型号:
201U-1*nPG-6.0/3.0



Single row 02 to 20 contacts/单排2-40芯
0.64mm Square post/0.64mm四方针
Base height/塑体高度: 2.54mm standard

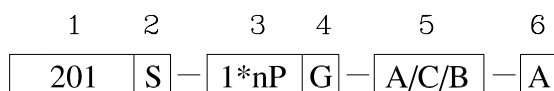
Ordering Code/订购型号:
201SMS-1*nPG-6.0/1.27-A



Single row 02 to 40 contacts/单排2-40芯
0.64mm Square post/0.64mm四方针
Base height/塑体高度: 2.54mm standard

Ordering Code/订购型号:
201DLSMS-1*nPG-6.3/6.7/1.27-A

Ordering Code/订购型号:



1. Series No./系列号: 201

2. PCB Mount Type/安装类型:

- S = Vertical DIP Type(直插)
- U = Horizontal DIP Type(正弯插)
- R = Right Angle DIP Type(弯插)
- SMS = Vertical SMT Type(立贴)
- DLS = Dual Bodies Vertical DIP(双塑体直插)
- DLSMS = Dual Bodies Vertical SMT(双塑体立贴)

3. Poles/位数:

1*01P ~ 1*40P

4. Contacts plating/接触件电镀:

- S = Selective Gold(半金)
- G = Gold flash(全金)
- G3 = 3μ" Gold(镀金3μ")

5. Pin Dimension/方针尺寸:

6. Options/选项:

- A = Type-A (正脚位)
- B = Type-B (反脚位)

*The size of the C may be omitted when it is standard.

*当C的尺寸是标准值时,在型号中能够可以省略不写。